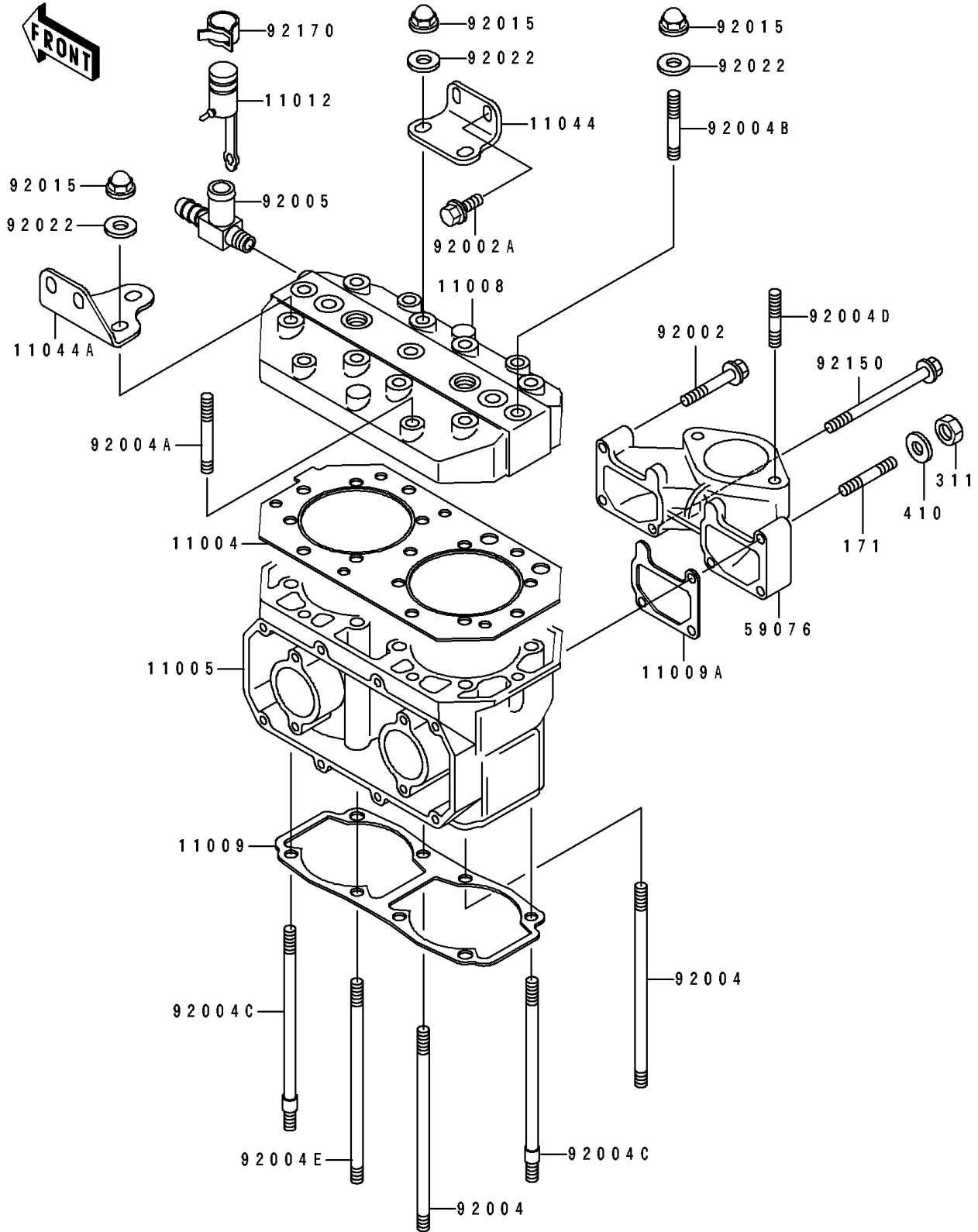


1990 550 SX PARTS DIAGRAM

Cylinder Head/Cylinder

E1110



1990 550 SX PARTS LIST

Cylinder Head/Cylinder

ITEM NAME	PART NUMBER	QUANTITY
GASKET-HEAD (Ref # 11004)	11004-3024	1
CYLINDER-ENGINE (Ref # 11005)	11005-3703	1
HEAD-COMP-CYLINDER (Ref # 11008)	11008-2059-YR	1
GASKET,CYLINDER (Ref # 11009)	11009-3054	1
GASKET,INTAKE (Ref # 11009A)	16062-510	2
CAP (Ref # 11012)	11012-3744	1
BRACKET,CARBURETOR (Ref # 11044)	11044-2074	1
BRACKET,MUFFLER (Ref # 11044A)	11044-2075	1
MANIFOLD-INTAKE (Ref # 59076)	59076-2052-YR	1
BOLT,6X35 (Ref # 92002)	92002-3715	3
BOLT,6X16 (Ref # 92002A)	92002-3728	2
STUD,8X170 (Ref # 92004)	92004-2084	2
STUD,8X42 (Ref # 92004A)	92004-3016	4
STUD,8X50 (Ref # 92004B)	92004-3017	3
STUD,8X167 (Ref # 92004C)	92004-3020	2
STUD,8X27.5 (Ref # 92004D)	92004-3022	2
STUD,8X167 (Ref # 92004E)	92004-507	4
FITTING (Ref # 92005)	92005-3704	1
NUT,CAP,8MM (Ref # 92015)	92015-1371	15
WASHER,8.2X18X1.5 (Ref # 92022)	92022-1964	15
BOLT,6X70 (Ref # 92150)	92150-3753	2
CLAMP (Ref # 92170)	92170-3714	1
BOLT-STUD,6X35 (Ref # 171)	171R0635	1
NUT-HEX,6MM (Ref # 311)	311R0600	1
WASHER-PLAIN-SMALL,6MM (Ref # 410)	410S0600	1