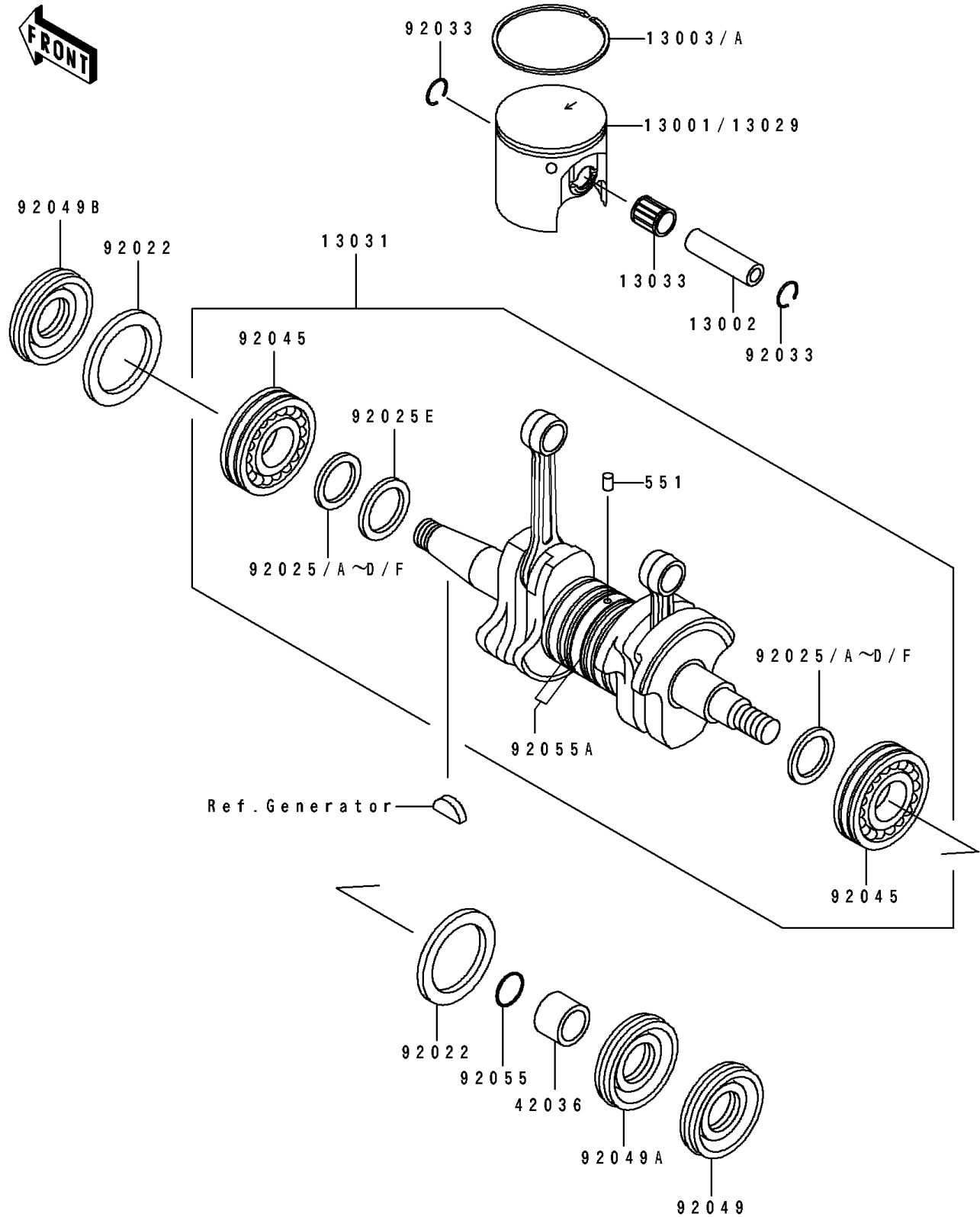


1990 550 SX PARTS DIAGRAM

Crankshaft/Piston

E1320



1990 550 SX PARTS LIST

Crankshaft/Piston

| ITEM NAME | PART NUMBER | QUANTITY |
|--|-------------|----------|
| PISTON-ENGINE,STD (Ref # 13001) | 13001-2094 | 2 |
| PIN-PISTON (Ref # 13002) | 13002-504 | 2 |
| RING-PISTON TOP,STD (Ref # 13003) | 13003-2129 | 2 |
| RING-PISTON TOP,O/S 0.5MM (Ref # 13003A) | 13003-2130 | 2 |
| PISTON-ENGINE L,O/S 0.5MM (Ref # 13029) | 13029-2077 | 2 |
| CRANKSHAFT-COMP (Ref # 13031) | 13031-2051 | 1 |
| BEARING-NEEDLE,KBK16X20X22.8X6 (Ref # 13033) | 13033-3005 | 2 |
| SLEEVE,CRANKSHAFT OUT (Ref # 42036) | 42036-3007 | 1 |
| WASHER,CRANK,RH (Ref # 92022) | 92022-3021 | 2 |
| SHIM,T=0.1 (Ref # 92025) | 92025-513 | AR |
| SHIM,T=0.2 (Ref # 92025A) | 92025-518 | AR |
| SHIM,T=0.3 (Ref # 92025B) | 92025-523 | AR |
| SHIM,T=0.4 (Ref # 92025C) | 92025-527 | AR |
| SHIM,T=0.5 (Ref # 92025D) | 92025-530 | AR |
| SHIM,T=1.0MM (Ref # 92025E) | 92025-532 | 1 |
| SHIM,T=0.6 (Ref # 92025F) | 92025-533 | AR |
| RING-SNAP (Ref # 92033) | 92036-507 | 4 |
| BEARING-BALL (Ref # 92045) | 92045-3010 | 2 |
| SEAL-OIL,OIL,TCY306210 (Ref # 92049) | 92049-3005 | 1 |
| SEAL-OIL,OIL,DCY30629 (Ref # 92049A) | 92049-3006 | 1 |
| SEAL-OIL,TCY306210 (Ref # 92049B) | 92050-507 | 1 |
| RING-O,22MM (Ref # 92055) | 92055-3009 | 1 |
| RING-O (Ref # 92055A) | 92055-504 | 2 |
| PIN-DOWEL (Ref # 551) | 551A0410 | 1 |