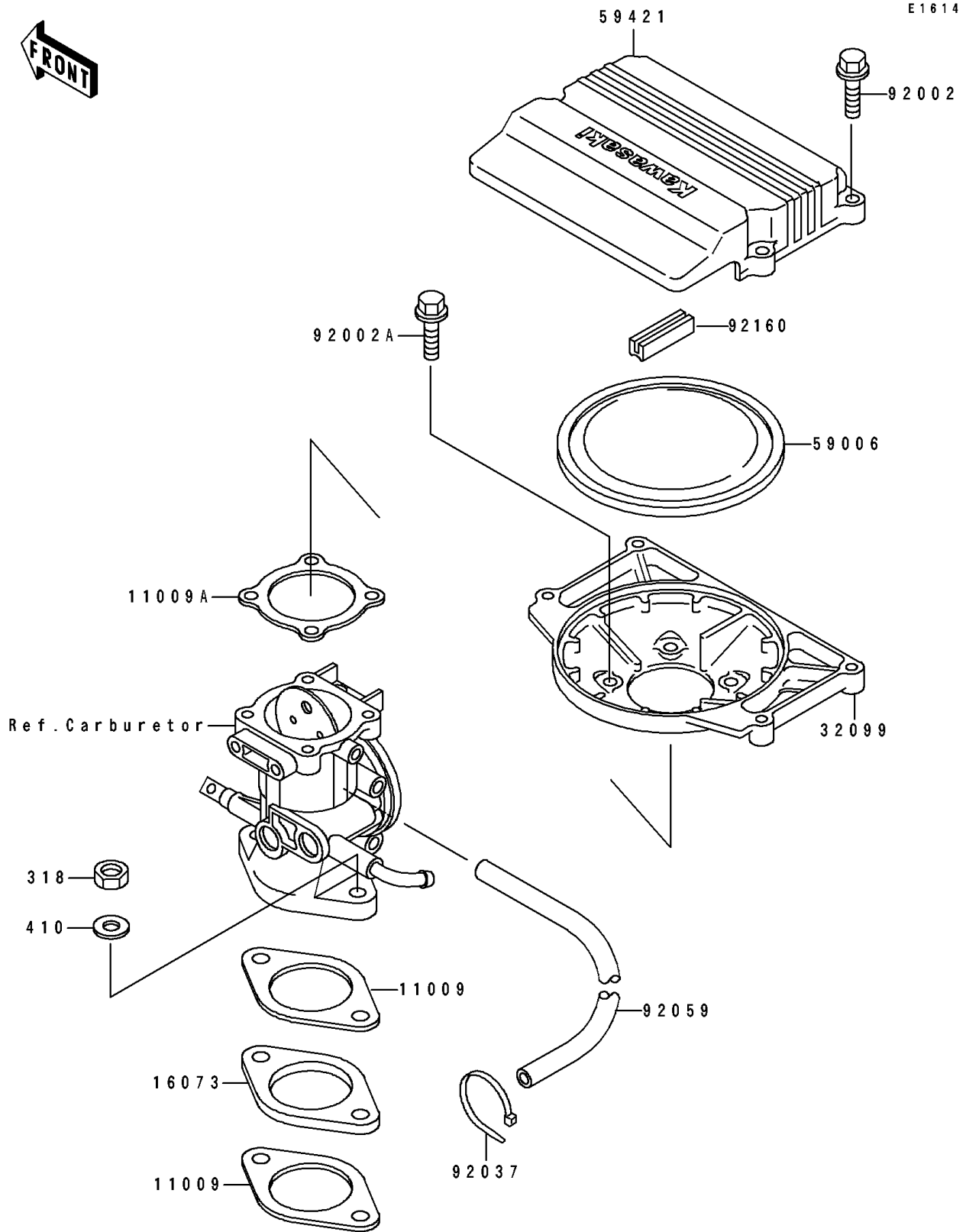


# 1990 550 SX PARTS DIAGRAM

Flame Arrester



## 1990 550 SX PARTS LIST

### Flame Arrester

ITEM NAME	PART NUMBER	QUANTITY
GASKET,INSULATOR (Ref # 11009)	11009-3056	2
GASKET,ARRESTER CASE (Ref # 11009A)	11009-3057	1
INSULATOR (Ref # 16073)	16073-3007	1
CASE (Ref # 32099)	32099-2088	1
ARRESTER-FLAME (Ref # 59006)	59006-3704	1
COVER-INTAKE (Ref # 59421)	59421-3704	1
BOLT,6X25 (Ref # 92002)	92002-3714	4
BOLT,6X20 (Ref # 92002A)	92002-3755	4
CLAMP (Ref # 92037)	92037-1173	1
TUBE,PULS (Ref # 92059)	92059-518	1
DAMPER (Ref # 92160)	92160-3753	1
NUT-HEX-SMALL (Ref # 318)	318R0800	2
WASHER-PLAIN-SMALL,8MM (Ref # 410)	410S0800	2