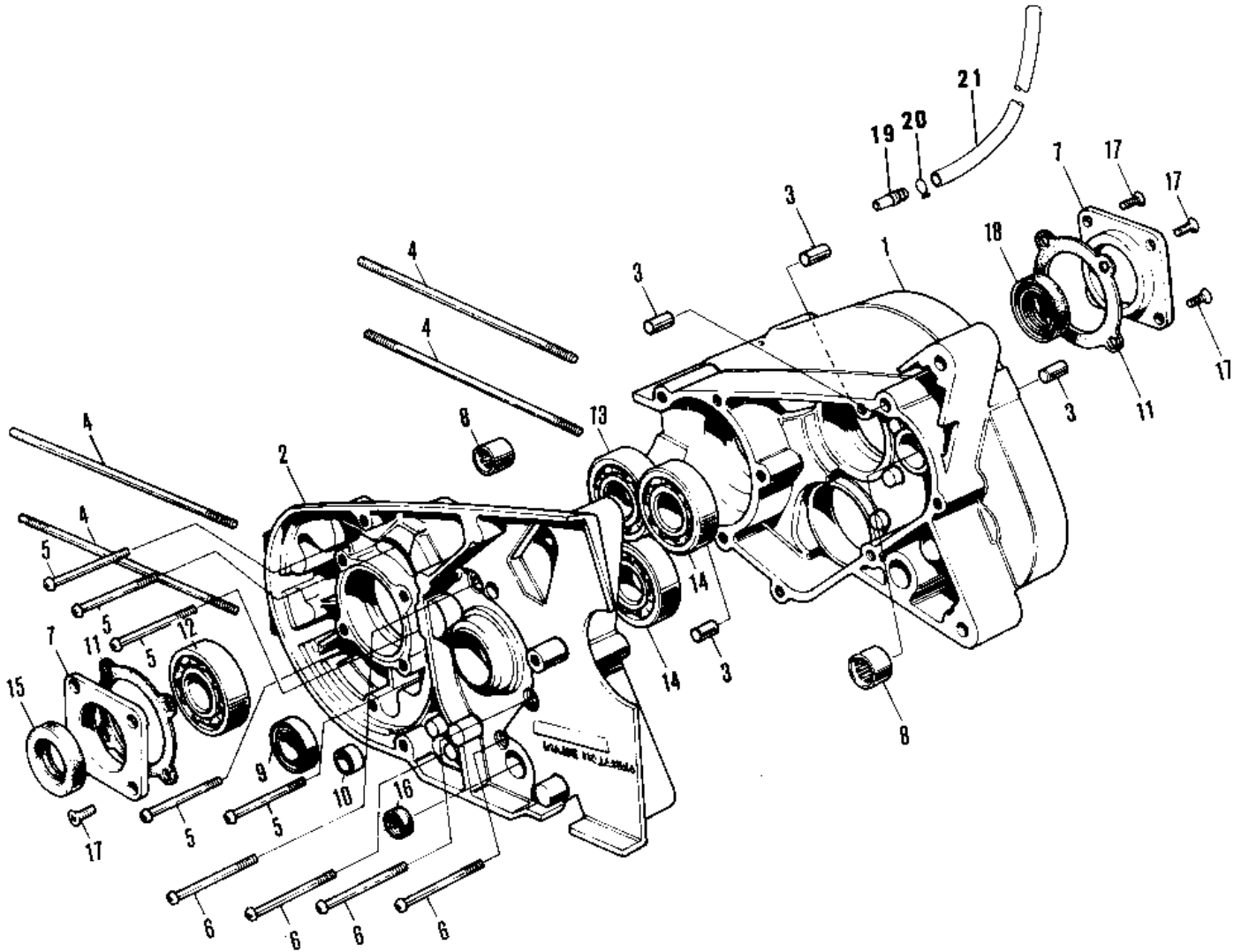


# 1972 MT1A PARTS DIAGRAM

CRANKCASE ('71-'75)



## 1972 MT1A PARTS LIST

CRANKCASE ('71-'75)

ITEM NAME	PART NUMBER	QUANTITY
CRANKCASE SET (Ref # 1 3)	14001-5008	
CRANKCASE SET (Ref # 1 3)	14001-068	
PIN DOWEL 8X16 (Ref # 3)	551A0816	
STUD,6X120 (Ref # 4)	92004-033	
SCREW PAN HEAD 6X35 (Ref # 5)	220B0635	
SCREW PAN HEAD 6X60 (Ref # 6)	220B0660	
RETAINER-OIL SEAL (Ref # 7)	14020-009	
NEEDLE BEARING-SM END (Ref # 8)	92046-024	
OIL SEAL,SC22325 (Ref # 9)	92049-1048	
OIL SEAL VB14246 (Ref # 10)	92053-001	
GASKET-OIL SEAL RETNR (Ref # 11)	14023-002	
BEARING BALL #6204 (Ref # 12)	601B6204	
BEARING BALL #6303 (Ref # 13)	601B6303	
BEARING BALL #6203 (Ref # 14)	601B6203	
OIL SEAL TB20358 (Ref # 15)	653B203508	
OIL SEAL SB12205 (Ref # 16)	92049-004	
SCREW CNTSNK HD 6X14 (Ref # 17)	221B0614	
OIL SEAL TB24358 (Ref # 18)	653B243508	
BREATHER (Ref # 19)	14069-006	
CLAMP,BREATHER PIPE (Ref # 20)	92037-078	
TUBE,VINYL,4X500 (Ref # 21)	700Q04500	