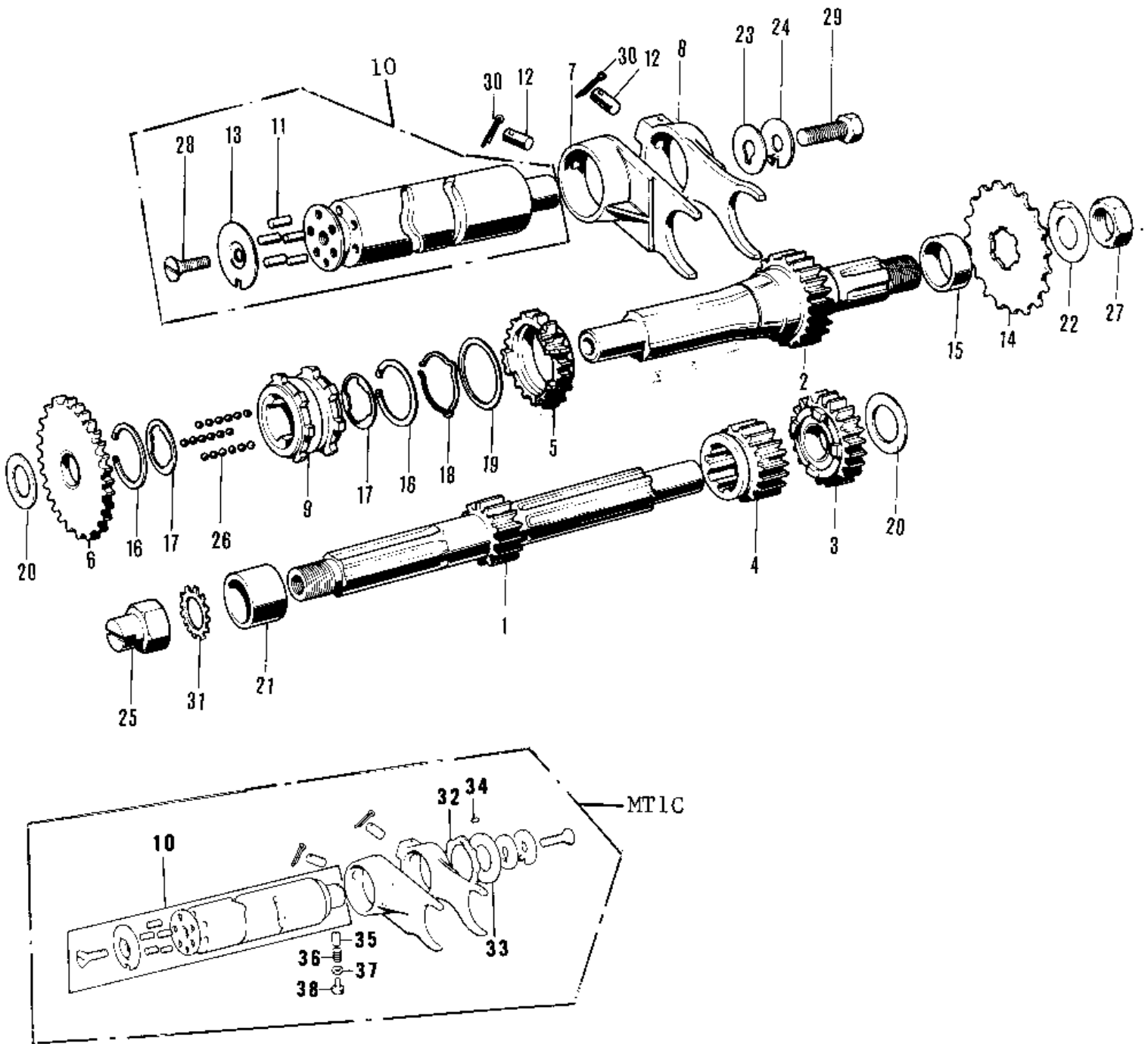


1974 MT1B PARTS DIAGRAM

TRANSMISSION/CHANGE DRUM ('71-'75)



1974 MT1B PARTS LIST

TRANSMISSION/CHANGE DRUM ('71-'75)

| ITEM NAME | PART NUMBER | QUANTITY |
|----------------------------------|-------------|----------|
| SHAFT-DRIVE (Ref # 1) | 13127-030 | |
| SHAFT-OUTPUT (Ref # 2) | 13128-029 | |
| TOP GEAR-DRIVE (Ref # 3) | 13136-034 | |
| 2ND GEAR-DRIVE (Ref # 4) | 13130-003 | |
| 2ND GEAR-OUTPUT (Ref # 5) | 13131-032 | |
| LOW GEAR-OUTPUT (Ref # 6) | 13129-035 | |
| FORK-SELECTOR,LOW&2ND (Ref # 7) | 13140-033 | |
| FORK-SELECTOR,TOP (Ref # 8) | 13140-034 | |
| SHIFTER (Ref # 9) | 13139-004 | |
| DRUM ASSY-GEAR CHANGE (Ref # 10) | 13239-001 | |
| DRUM ASSY,GEAR CHANGE (Ref # 10) | 13239-1014 | |
| PIN GEAR CHANGE DRUM (Ref # 11) | 92043-004 | |
| PIN SELECT FORK GUIDE (Ref # 12) | 92043-005 | |
| PLATE CHANGE DRUM PIN (Ref # 13) | 13142-002 | |
| ENGINE SPROCKET (Ref # 14) | 13144-002 | |
| COLLAR OIL SEAL (Ref # 15) | 92027-001 | |
| CIRCLIP,26MM (Ref # 16) | 92033-003 | |
| CIRCLIP (Ref # 17) | 92033-004 | |
| CIRCLIP,25MM (Ref # 18) | 92033-025 | |
| WASHER 22MM (Ref # 19) | 92022-106 | |
| WASHER-PLAIN (Ref # 20) | 92022-174 | |
| COLLAR-CLUTCH PINION (Ref # 21) | 92027-002 | |
| WASHER-LOCK,12MM (Ref # 22) | 92022-002 | |
| WASHER-PLAIN (Ref # 23) | 92022-175 | |
| WASHER-LOCK (Ref # 24) | 92024-028 | |
| NUT-OIL PUMP (Ref # 25) | 92015-046 | |
| BALL STEEL 5/32' (Ref # 26) | 600A0500 | |
| NUT-HEX-FINE (Ref # 27) | 314B1200 | |
| SCREW CNTSNK HD 6X16 (Ref # 28) | 212B0616 | |

1974 MT1B PARTS LIST

TRANSMISSION/CHANGE DRUM ('71-'75)

| ITEM NAME | PART NUMBER | QUANTITY |
|---|-------------|----------|
| BOLT-HEX HEAD,8X18 (Ref # 29) | 113B0818 | |
| PIN COTTER 3.0X20 (Ref # 30) | 550D3020 | |
| WASHER LOCK 12MM (Ref # 31) | 464H1200 | |
| DISC, GEAR DRUM CHANGE OPERATING (Ref # 32) | 13145-004 | |
| WASHER,THRUST (Ref # 33) | 92026-106 | |
| PIN-DOWEL,4X6 (Ref # 34) | 610A0406 | |
| PIN-NEUTRAL POSITION (Ref # 35) | 92043-076 | |
| SPRING (Ref # 36) | 92081-112 | |
| GASKET (Ref # 37) | 92065-090 | |
| BOLT,10MM (Ref # 38) | 92001-131 | |