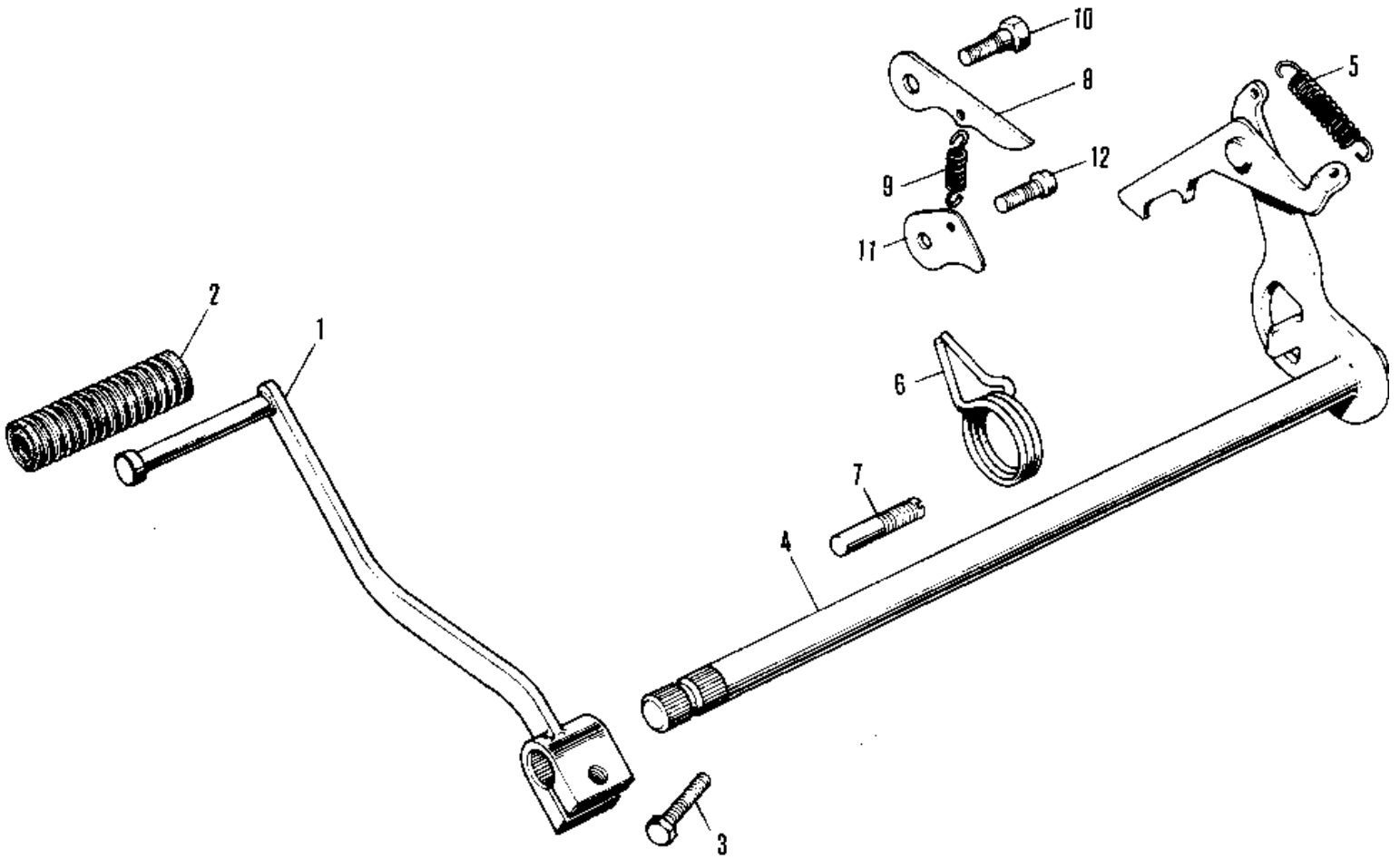


# 1972 MT1A PARTS DIAGRAM

GEAR CHANGE MECHANISM ('71-'75)



# 1972 MT1A PARTS LIST

## GEAR CHANGE MECHANISM ('71-'75)

| ITEM NAME                        | PART NUMBER | QUANTITY |
|----------------------------------|-------------|----------|
| PEDAL SET GEAR CHANGE (Ref # 1)  | 13242-004   |          |
| RUBBER CHANGE PEDAL (Ref # 2)    | 13157-004   |          |
| BOLT-UPSET,6X20 (Ref # 3)        | 112G0620    |          |
| LEVER ASSY GEAR CHNG (Ref # 4)   | 13161-021   |          |
| SPRING RATCHET PA (Ref # 5)      | 92081-003   |          |
| SPRING (Ref # 6)                 | 92083-001   |          |
| PIN-CHANGE PEDAL (Ref # 7)       | 92043-061   |          |
| LEVER-GEAR CHNG DRUM (Ref # 8)   | 13168-002   |          |
| SPRING-CHANG DRUM LEV (Ref # 9)  | 92081-008   |          |
| BOLT,CHANGE DRUM LEVE (Ref # 10) | 92150-1450  |          |
| PLATE CHANGE DRUM LEV (Ref # 11) | 13170-004   |          |
| SCREW PAN HEAD 6X12 (Ref # 12)   | 220B0612    |          |