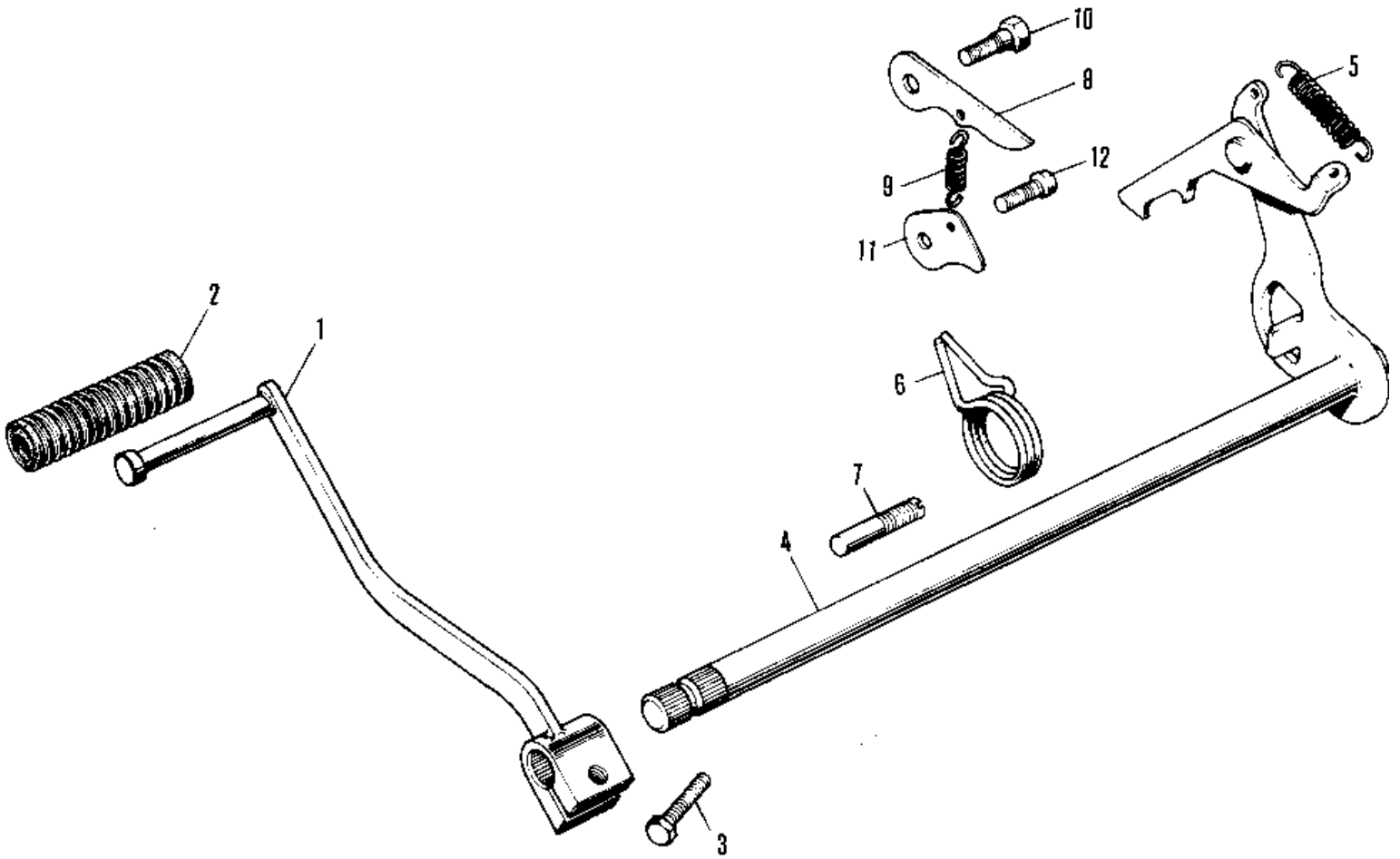


1974 MT1B PARTS DIAGRAM

GEAR CHANGE MECHANISM ('71-'75)



1974 MT1B PARTS LIST

GEAR CHANGE MECHANISM ('71-'75)

ITEM NAME	PART NUMBER	QUANTITY
PEDAL SET GEAR CHANGE (Ref # 1)	13242-004	
RUBBER CHANGE PEDAL (Ref # 2)	13157-004	
BOLT-UPSET,6X20 (Ref # 3)	112G0620	
LEVER ASSY GEAR CHNG (Ref # 4)	13161-021	
SPRING RATCHET PA (Ref # 5)	92081-003	
SPRING (Ref # 6)	92083-001	
PIN-CHANGE PEDAL (Ref # 7)	92043-061	
LEVER-GEAR CHNG DRUM (Ref # 8)	13168-002	
SPRING-CHANG DRUM LEV (Ref # 9)	92081-008	
BOLT,CHANGE DRUM LEVE (Ref # 10)	92150-1450	
PLATE CHANGE DRUM LEV (Ref # 11)	13170-004	
SCREW PAN HEAD 6X12 (Ref # 12)	220B0612	