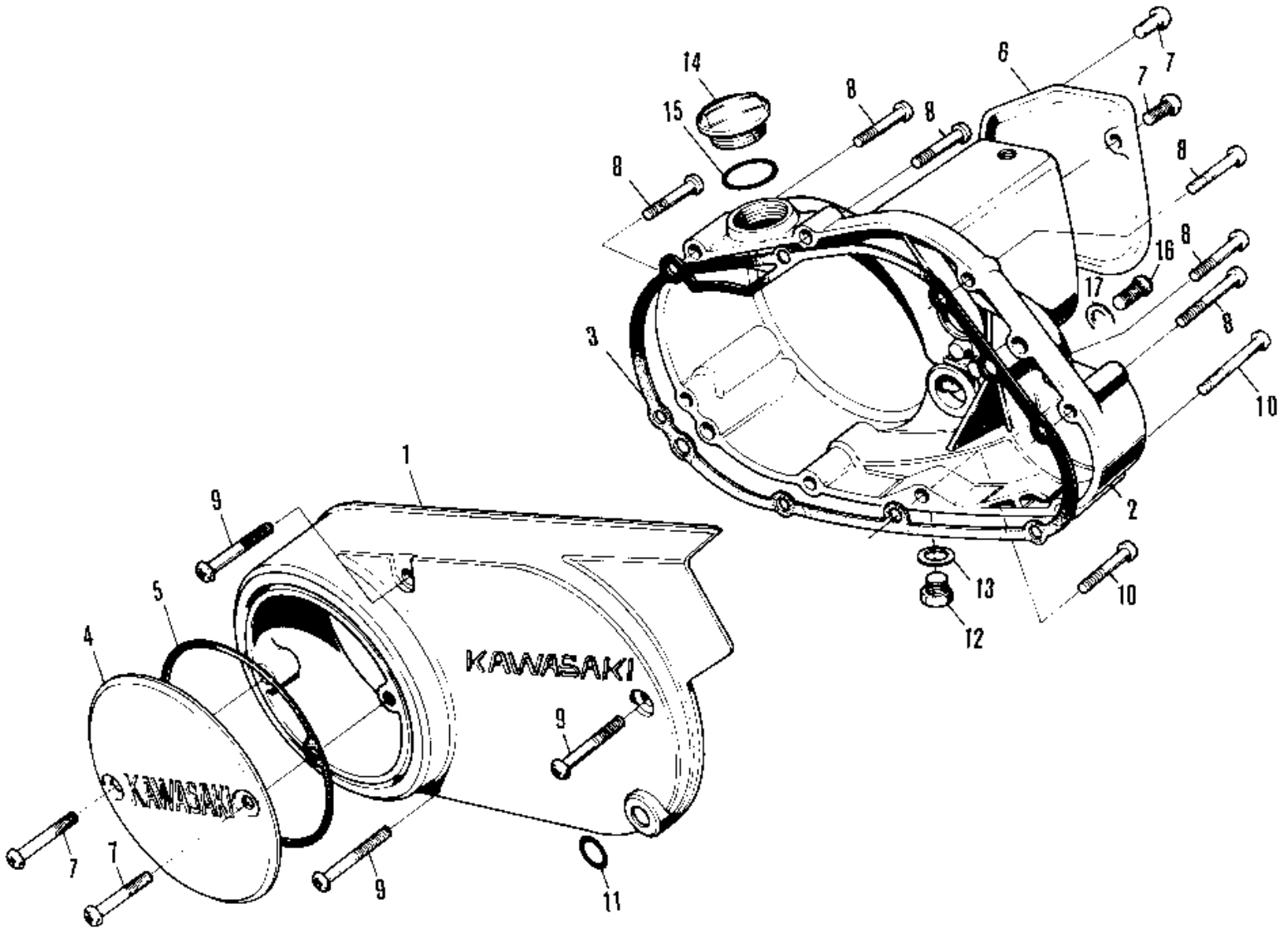


# 1972 MT1A PARTS DIAGRAM

ENGINE COVERS (71-75)



# 1972 MT1A PARTS LIST

## ENGINE COVERS (71-75)

ITEM NAME	PART NUMBER	QUANTITY
COVER,L.H.ENGINE (Ref # 1)	14031-1008	
UNAVAILABLE IN PRICE BOOK (Ref # 1)	14031-039-2H	
COVER,R.H.ENGINE (Ref # 2)	14032-1003	
UNAVAILABLE IN PRICE BOOK (Ref # 2)	14032-058-2H	
GASKET-R.H ENGINE COV (Ref # 3)	14046-002	
COVER-BRK POINT,CR (Ref # 4)	14027-007-79	
GASKET BREAKER COVER (Ref # 5)	14050-002	
COVER-OIL PUMP (Ref # 6)	14030-026	
UNAVAILABLE IN PRICE BOOK (Ref # 6)	14030-026-2H	
SCREW PAN HEAD 6X12 (Ref # 7)	220B0612	
SCREW PAN HEAD 6X30 (Ref # 8)	220B0630	
SCREW PAN HEAD 6X45 (Ref # 9)	220B0645	
SCREW PAN HEAD 6X50 (Ref # 10)	220B0650	
"O" RING,12MM (Ref # 11)	670B2012	
PLUG OIL DRAIN (Ref # 12)	92067-001	
GASKET CHECK VALVE (Ref # 13)	92065-058	
PLUG-OIL FILLER (Ref # 14)	92068-005	
"O" RING,OIL FIL PLUG (Ref # 15)	92055-026	
SCREW PAN HEAD 6X8 (Ref # 16)	220B0608	
GASKET OIL LEVEL SCRW (Ref # 17)	92065-035	