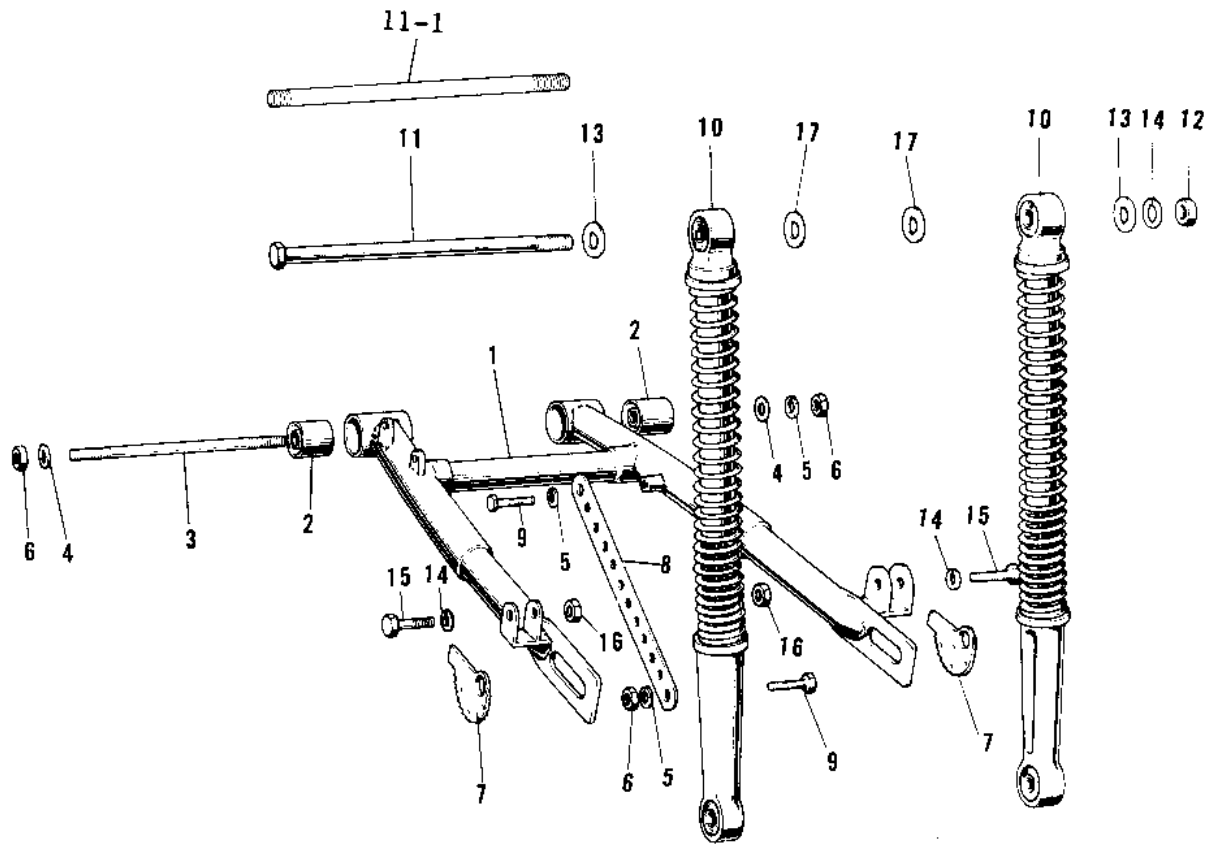


# 1972 MT1A PARTS DIAGRAM

SWING ARM/SHOCK ABSORBERS ('71-'75)



## 1972 MT1A PARTS LIST

### SWING ARM/SHOCK ABSORBERS ('71-'75)

| ITEM NAME                            | PART NUMBER | QUANTITY |
|--------------------------------------|-------------|----------|
| ARM-SWING (Ref # 1)                  | 33001-037   |          |
| BUSH SWING ARM SHAFT (Ref # 2)       | 92092-006   |          |
| SHAFT SWING ARM PIVOT (Ref # 3)      | 33032-008   |          |
| WASHER PLAIN 10MM (Ref # 4)          | 410B1000    |          |
| WASHER SPRING 10MM (Ref # 5)         | 461F1000    |          |
| NUT,10MM (Ref # 6)                   | 314B1000    |          |
| ADJUSTER-CHAIN (Ref # 7)             | 33040-042   |          |
| TORQUE LINK-REAR BRK (Ref # 8)       | 43007-025   |          |
| BOLT,HEX HEAD,10X18 (Ref # 9)        | 113G1018    |          |
| SHOCK ABSBR RR (Ref # 10)            | 45014-065   |          |
| SHOCK ABSBR RR (Ref # 10)            | 45014-065   |          |
| BOLT HEX HEAD 12X254 (Ref # 11)      | 113B12254A  |          |
| STUD,12MM (Ref # 11-1)               | 92006-006   |          |
| NUT-HEX-FINE (Ref # 12)              | 314B1200    |          |
| WASHER PLAIN 12MM (Ref # 13)         | 411B1200    |          |
| WASHER SPRING 12MM (Ref # 14)        | 461F1200    |          |
| BOLT-HEX HEAD,12X36 (Ref # 15)       | 113B1236A   |          |
| NUT-HEX-FINE,12MM (Ref # 16)         | 315B1200    |          |
| UNAVAILABLE IN PRICE BOOK (Ref # 17) | 92022-185   |          |