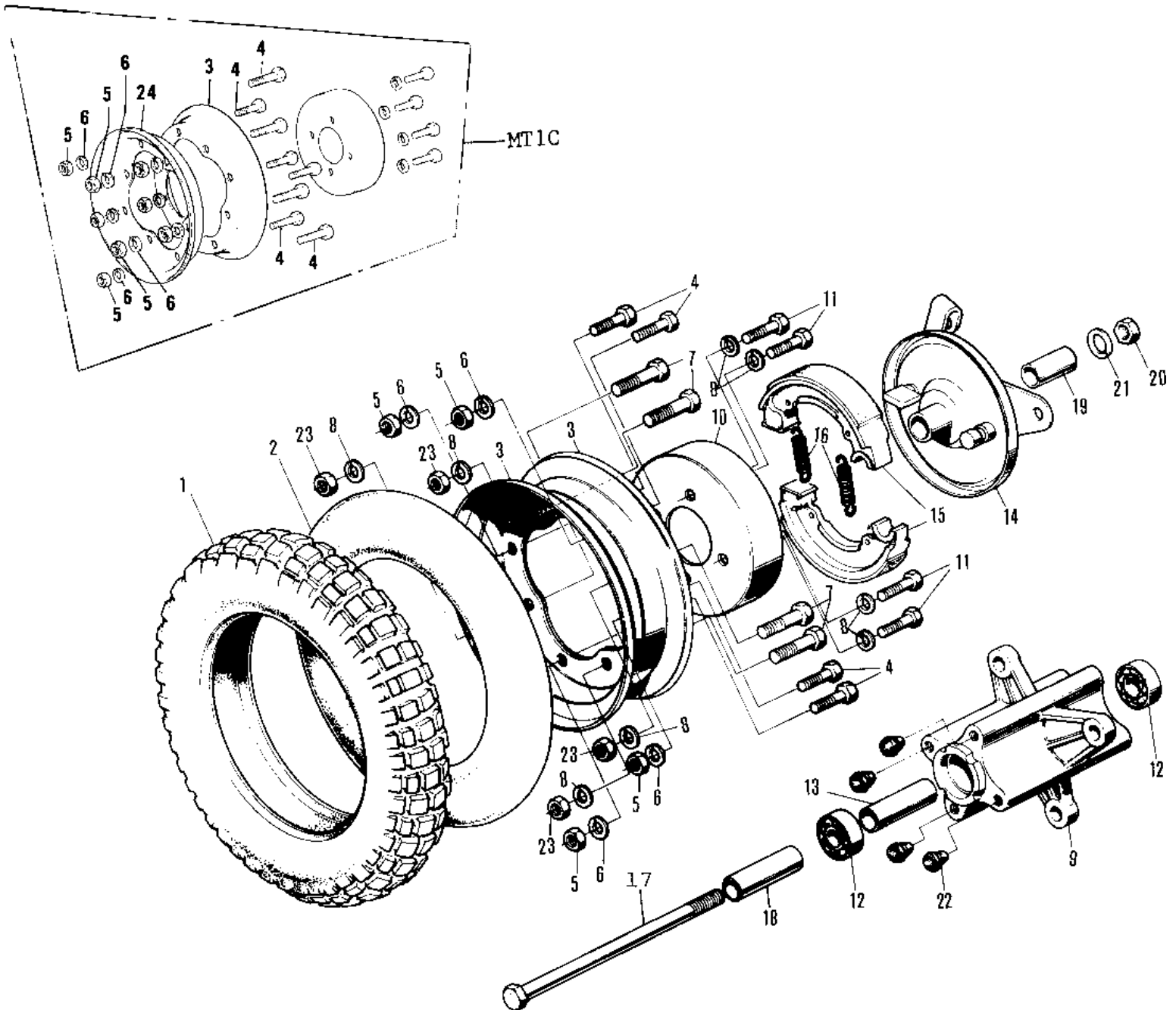


1974 MT1B PARTS DIAGRAM

FRONT WHEEL/TIRE/HUB/BRAKE (71-75)



1974 MT1B PARTS LIST

FRONT WHEEL/TIRE/HUB/BRAKE ('71-'75)

ITEM NAME	PART NUMBER	QUANTITY
UNAVAILABLE IN PRICE BOOK (Ref # 1)	41021-015	
TUBE 350-8 (Ref # 2)	41022-037	
RIM 2.50-8 (Ref # 3)	41025-047	
RIM,2.50-8 (Ref # 3)	41025-081	
BOLT SMALL (Ref # 4)	114G0812	
BOLT,HEX HEAD,10X16 (Ref # 4)	113G1016	
NUT,8MM (Ref # 5)	311B0800	
NUT,10MM (Ref # 5)	314B1000	
WASHER SPRING 8MM (Ref # 6)	461F0800	
WASHER SPRING 10MM (Ref # 6)	461F1000	
BOLT,HEX HEAD,10X25 (Ref # 7)	113G1025	
WASHER SPRING 10MM (Ref # 8)	461F1000	
DRUM ASSY-REAR BRAKE (Ref # 8 13)	42005-025	
DRUM-BRAKE (Ref # 10)	41054-003	
BOLT-HEX HEAD,10X28 (Ref # 11)	92001-017	
BEARING-BALL #6201Z (Ref # 12)	601B6201Z	
SPACER-BEARING (Ref # 13)	42010-020	
PANEL ASSY-FRNT BRAKE (Ref # 14 16)	41035-031	
SHOE,BRAKE (Ref # 15,16)	41048-1010	
SPRING-BRAKE SHOE (Ref # 16)	41049-009	
AXLE-FRONT (Ref # 17)	41068-033	
COLLAR-FRONT AXLE,R.H (Ref # 18)	41069-013	
COLLAR-FRONT AXLE,L.H (Ref # 19)	41069-014	
NUT-HEX-FINE (Ref # 20)	314B1200	
WASHER SPRING 12MM (Ref # 21)	461F1200	
PLUG RUBBER (Ref # 22)	92074-005	
NUT,10MM (Ref # 23)	314B1000	
RIM,2.50-8 (Ref # 24)	41025-082	