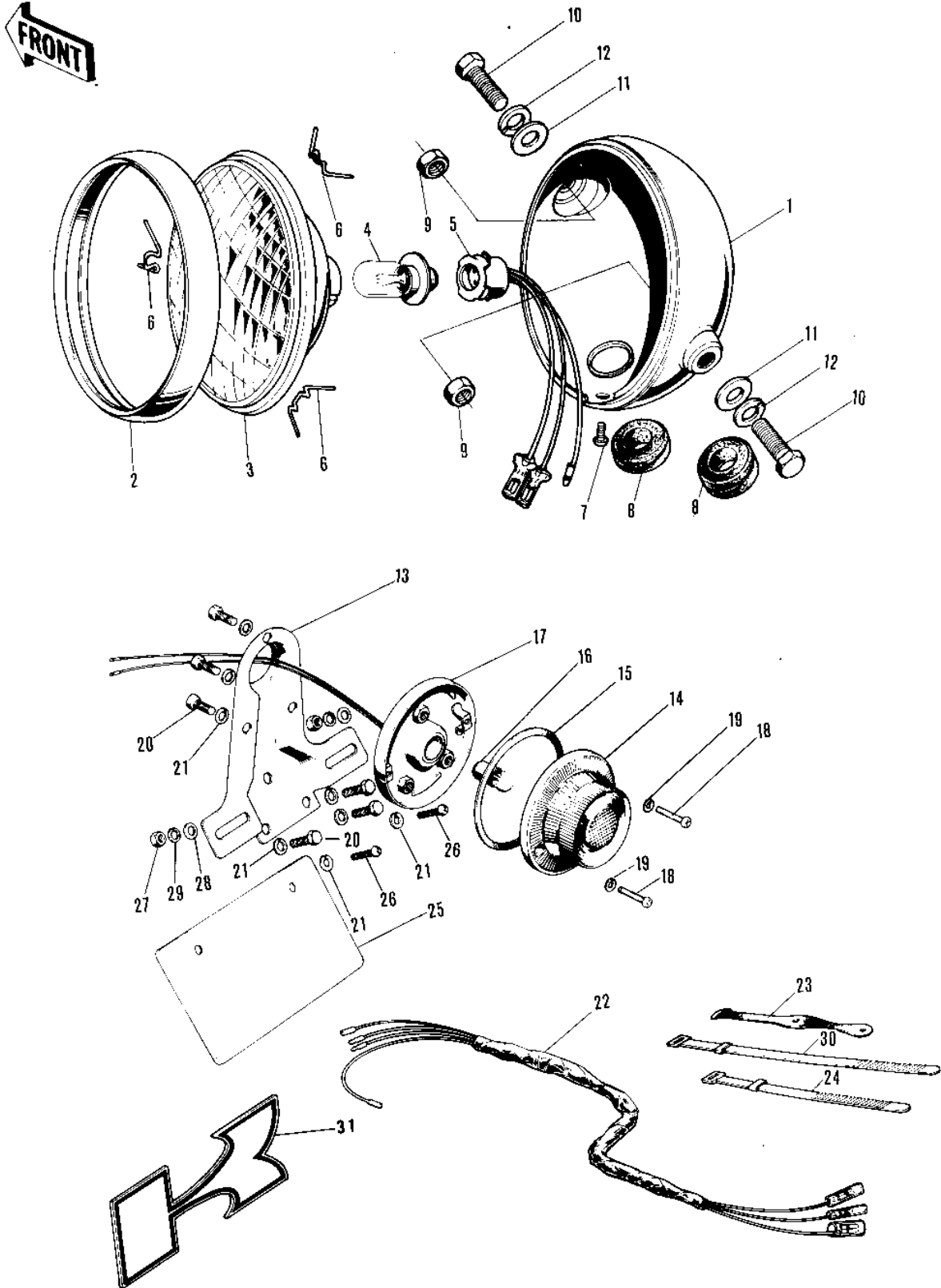


# 1974 MT1B PARTS DIAGRAM

HEADLIGHT/TAILLIGHT/CHASSIS ELECTRICAL E



# 1974 MT1B PARTS LIST

## HEADLIGHT/TAILLIGHT/CHASSIS ELECTRICAL E

ITEM NAME	PART NUMBER	QUANTITY
BODY,HD LIGHT,FL BLCK (Ref # 1)	23005-1006-21	
LAMP UNIT-HEAD (Ref # 2 7)	23004-023	
RIM,HEAD LAMP (Ref # 2)	23006-043	
LENS UNIT-HEAD LAMP (Ref # 3)	23007-010	
BULB 6V 25/25W (Ref # 4)	92069-031	
SOCKET HEAD LAMP (Ref # 5)	23008-009	
CLAMP,HEAD LAMP LENS (Ref # 6)	23009-014	
SCREW OVL CNTSNK 5X8 (Ref # 7)	222E0508A	
GROMMET WIRING HARNES (Ref # 8)	23023-007	
NUT 10MM (Ref # 9)	92016-027	
BOLT-UPSET,10X20 (Ref # 10)	112B1020	
WASHER PLAIN 10MM (Ref # 11)	411B1000	
WASHER SPRING 10MM (Ref # 12)	461F1000	
BKT-TAIL LAMP,BLACK (Ref # 13)	35028-005-10	
LAMP ASSY-TAIL (Ref # 14 19)	23025-035	
LENS-TAIL LAMP (Ref # 14)	23026-009	
GASKET-TAIL LAMP LENS (Ref # 15)	23028-012	
BULB 6V 10/3W (Ref # 16)	92069-020	
SOCKET-TAIL LAMP (Ref # 17)	23027-025	
SCREW-PAN HEAD,4X10 (Ref # 18)	220E0410A	
WASHER SPRING 4MM (Ref # 19)	461F0400	
BOLT-UPSET,6X12 (Ref # 20)	112G0612	
WASHER SPRING 6MM (Ref # 21)	461F0600	
WIRING HARNESS,MAIN (Ref # 22)	26001-057	
BAND RUBBER (Ref # 23)	92072-018	
BAND,SHORT (Ref # 24)	92072-030	
BRACKET-LICENCE PLATE (Ref # 25)	35027-006	
SCREW PAN HEAD 6X12 (Ref # 26)	220B0612	
NUT 6MM (Ref # 27)	311B0600	

# 1974 MT1B PARTS LIST

HEADLIGHT/TAILLIGHT/CHASSIS ELECTRICAL E

ITEM NAME	PART NUMBER	QUANTITY
WASHER PLAIN 6MM (Ref # 28)	410B0600	
WASHER SPRING 6MM (Ref # 29)	461F0600	
BAND, LONG (Ref # 30)	92072-032	
EMBLEM, LICENSE PLT BKT (Ref # 31)	56018-176	