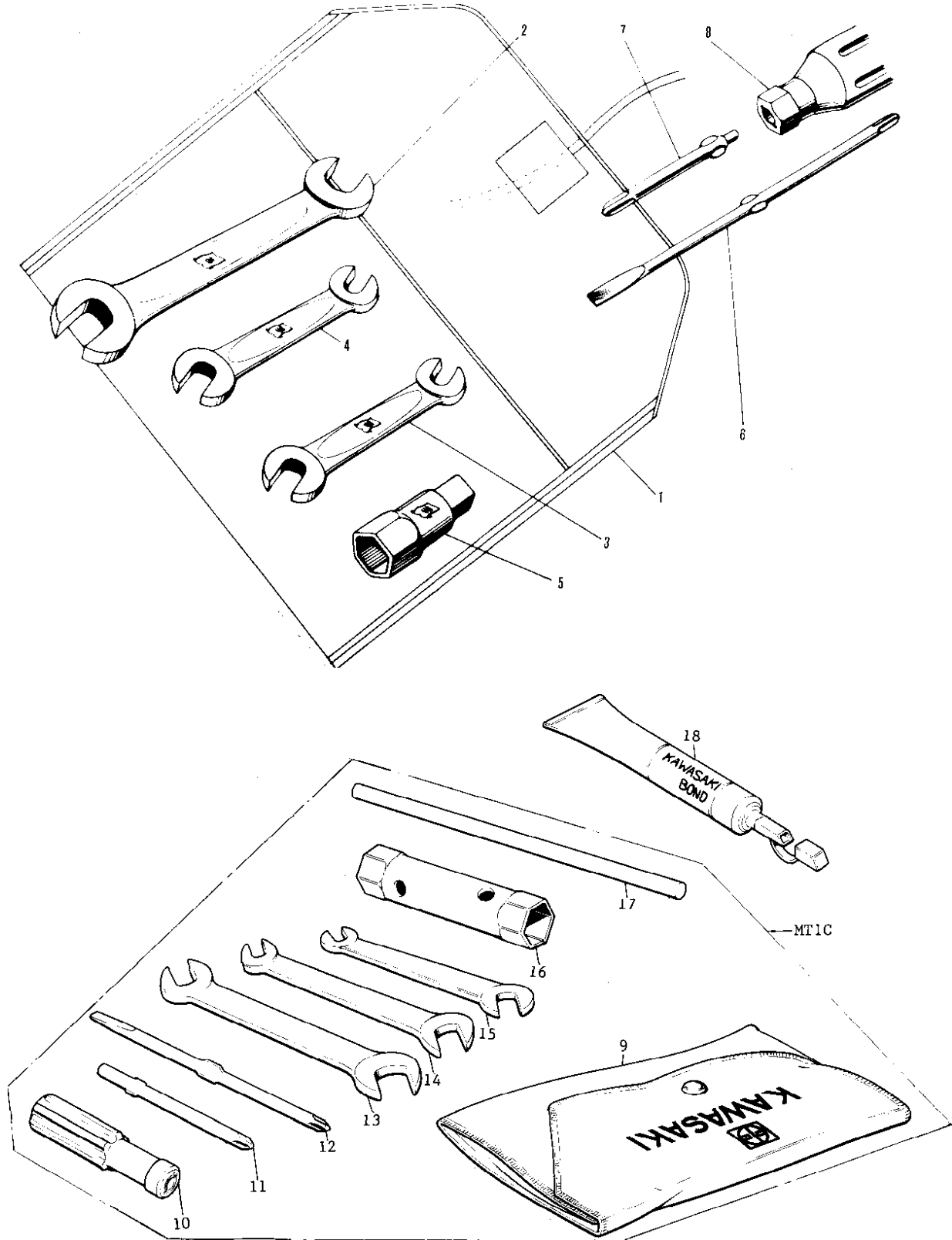


1971 Mini-Trail PARTS DIAGRAM

OWNER TOOLS (71-75)



1971 Mini-Trail PARTS LIST

OWNER TOOLS (71-75)

ITEM NAME	PART NUMBER	QUANTITY
*** N.L.A.*** (Canada) (Ref # 1 8)	56007-019	1
BAG,TOOL (Ref # 1)	56008-008	1
*** N.L.A.*** (Canada) (Ref # 2)	960B1719	1
*** N.L.A.*** (Canada) (Ref # 3)	960B1014	1
UNAVAILABLE IN PRICE BOOK (Ref # 4)	960B1013	1
92110-012 (Canada) (Ref # 5)	92110-003	1
TOOL-DRIVER (Ref # 6)	92107-1052	1
SCREW DRIVER #3 PHLIP (Ref # 7)	92107-005	1
92106-1001 (Canada) (Ref # 8)	92106-002	1
*** N.L.A.*** (Canada) (Ref # 9 17)	56007-035	1
BAG,TOOL (Ref # 9)	56008-008	1
92106-1001 (Canada) (Ref # 10)	92106-002	1
SCREW DRIVER #3 PHLIP (Ref # 11)	92107-005	1
TOOL-DRIVER (Ref # 12)	92107-1052	1
TOOL-WRENCH,OPEN END, (Ref # 13)	92110-1153	1
WRENCH,OPEN END,12X13 (Ref # 14)	92126-002	1
WRENCH,OPEN,8X10 (Ref # 15)	92126-001	1
WRENCH,BOX,17X21 (Ref # 16)	92110-012	1
BAR,SPARK PLUG WRENCH (Ref # 17)	92111-005	1
LIQUID GASKET (Ref # 18)	92104-002	10