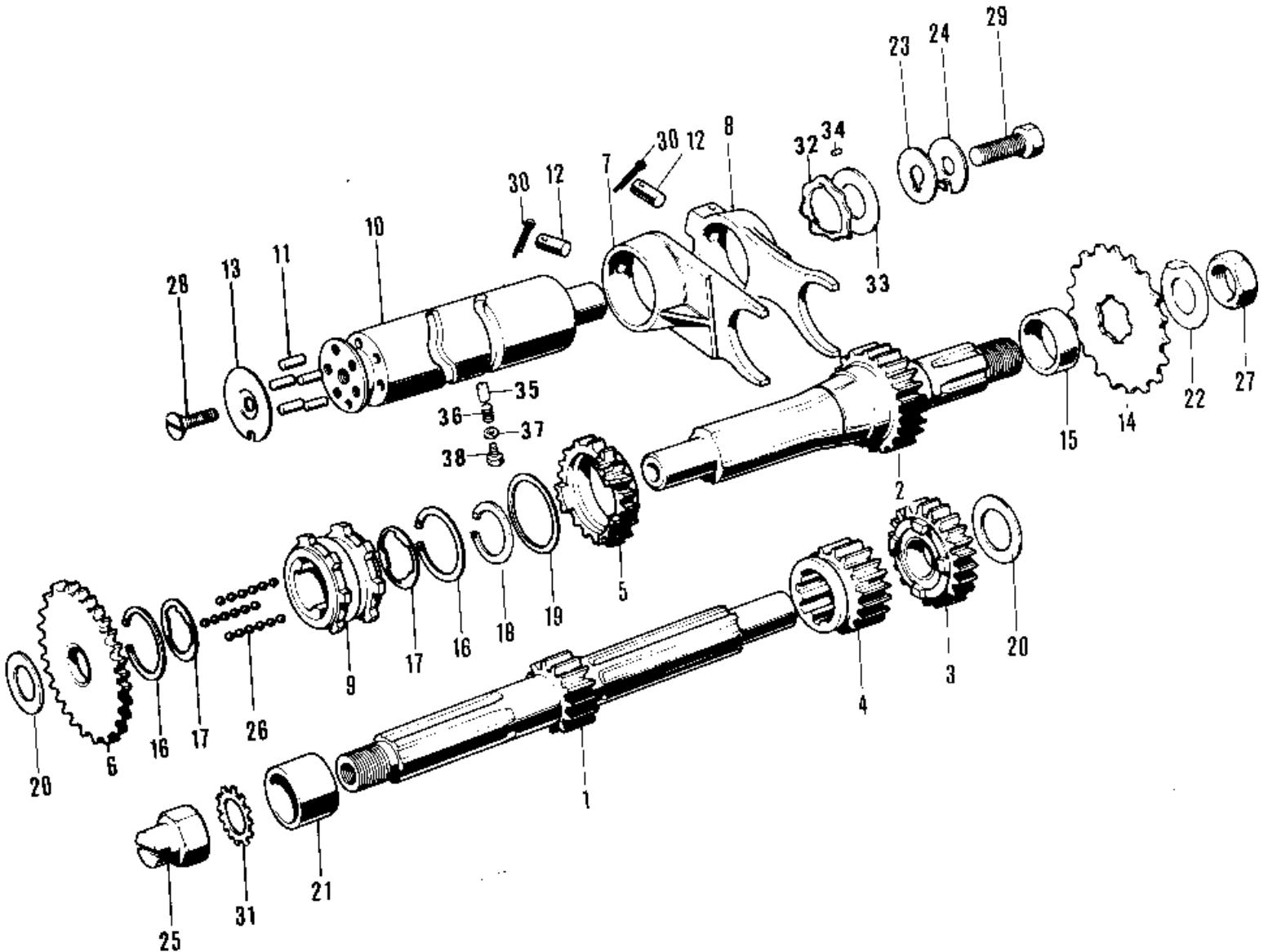


1972 MT1A PARTS DIAGRAM

TRANSMISSION/CHANGE DRUM ('76-'80)



1972 MT1A PARTS LIST

TRANSMISSION/CHANGE DRUM ('76-'80)

ITEM NAME	PART NUMBER	QUANTITY
SHAFT-DRIVE (Ref # 1)	13127-030	1
SHAFT-OUTPUT (Ref # 2)	13128-029	1
TOP GEAR-DRIVE (Ref # 3)	13136-034	1
2ND GEAR-DRIVE (Ref # 4)	13130-003	1
2ND GEAR-OUTPUT (Ref # 5)	13131-032	1
LOW GEAR-OUTPUT (Ref # 6)	13129-035	1
FORK-SELECTOR,LOW&2ND (Ref # 7)	13140-033	1
FORK-SELECTOR,TOP (Ref # 8)	13140-034	1
SHIFTER (Ref # 9)	13139-004	1
DRUM ASSY,GEAR CHANGE (Ref # 10)	13239-1014	1
DRUM ASSY,GEAR CHANGE (Ref # 10)	13239-1014	1
DRUM ASSY,GEAR CHANGE (Ref # 10)	13239-1014	1
PIN GEAR CHANGE DRUM (Ref # 11)	92043-004	5
PIN GEAR CHANGE DRUM (Ref # 11)	92043-011	5
PIN SELECT FORK GUIDE (Ref # 12)	92043-005	2
PLATE CHANGE DRUM PIN (Ref # 13)	13142-002	1
ENGINE SPROCKET (Ref # 14)	13144-002	1
COLLAR OIL SEAL (Ref # 15)	92027-001	1
CIRCLIP,26MM (Ref # 16)	92033-003	2
CIRCLIP (Ref # 17)	92033-004	2
CIRCLIP,25MM (Ref # 18)	92033-025	1
WASHER 22MM (Ref # 19)	92022-106	1
WASHER-PLAIN (Ref # 20)	92022-174	2
COLLAR-CLUTCH PINION (Ref # 21)	92027-002	1
WASHER-LOCK,12MM (Ref # 22)	92022-002	1
WASHER-PLAIN (Ref # 23)	92022-175	1
WASHER-LOCK (Ref # 24)	92024-028	1
NUT-OIL PUMP (Ref # 25)	92015-046	1
BALL STEEL 5/32' (Ref # 26)	600A0500	30

1972 MT1A PARTS LIST

TRANSMISSION/CHANGE DRUM ('76-'80)

ITEM NAME	PART NUMBER	QUANTITY
NUT-HEX-FINE (Ref # 27)	314B1200	1
NUT-HEX-FINE (Ref # 27)	314B1200	1
SCREW CNTSNK HD 6X16 (Ref # 28)	212B0616	1
SCREW CNTSNK HD 6X16 (Ref # 28)	221B0616	1
BOLT-HEX HEAD,8X18 (Ref # 29)	113B0818	1
BOLT-SMALL-UPSET,8X18 (Ref # 29)	115G0818	1
PIN COTTER 3.0X20 (Ref # 30)	550D3020	2
WASHER LOCK 12MM (Ref # 31)	464H1200	1
DISC.CHNG DRUM OPRTN (Ref # 32)	13145-004	1
DISC,CHANGE DRUM (Ref # 32)	13145-007	1
WASHER,THRUST (Ref # 33)	92026-106	1
PIN-DOWEL,4X6 (Ref # 34)	610A0406	1
PIN-NEUTRAL POSITION (Ref # 35)	92043-076	1
SPRING (Ref # 36)	92081-112	1
GASKET (Ref # 37)	92065-090	1
BOLT,10MM (Ref # 38)	92001-131	1