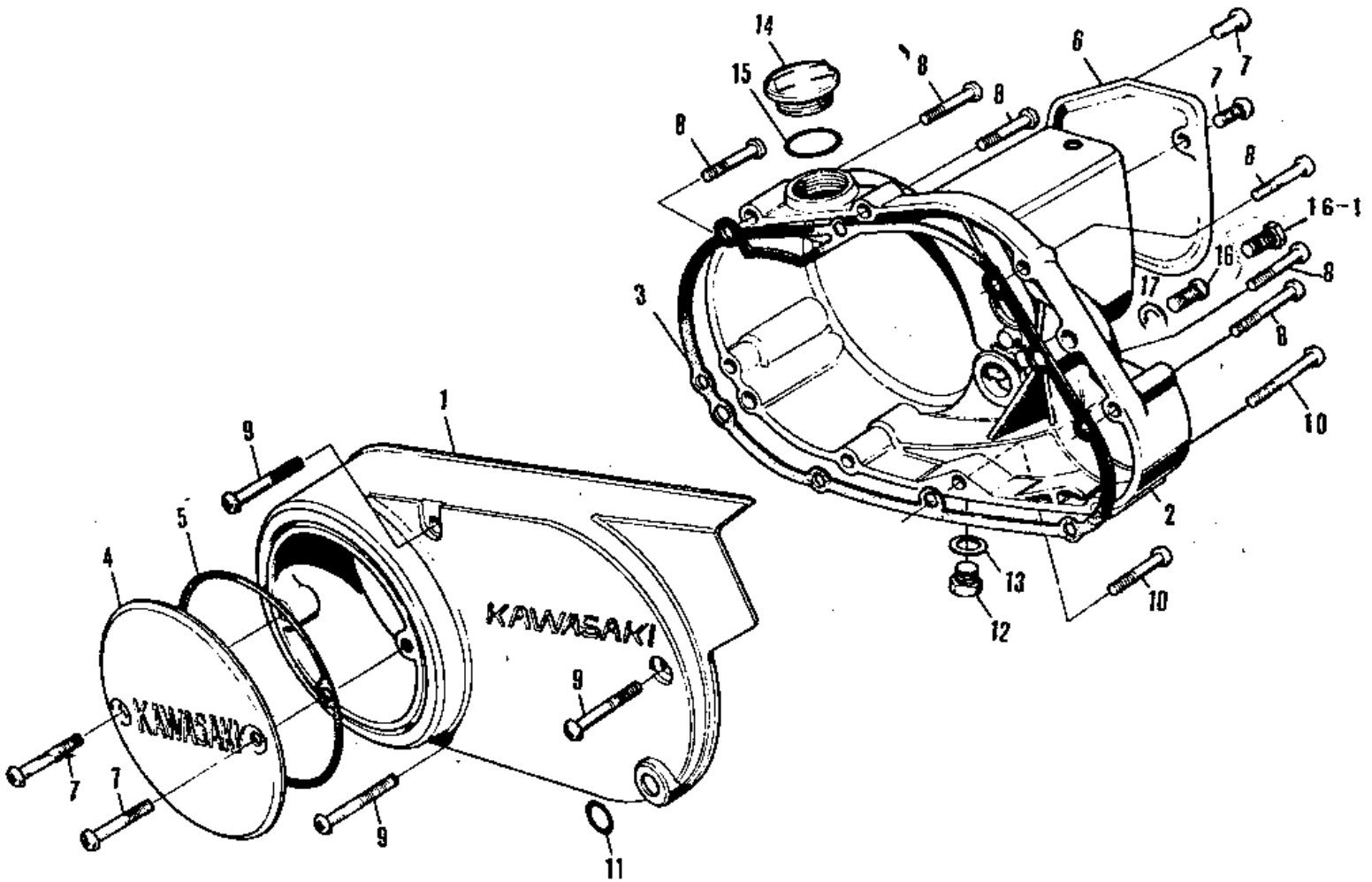


# 1972 MT1A PARTS DIAGRAM

ENGINE COVERS (76-'80)



# 1972 MT1A PARTS LIST

## ENGINE COVERS ('76-'80)

| ITEM NAME                        | PART NUMBER  | QUANTITY |
|----------------------------------|--------------|----------|
| COVER,L.H.ENGINE (Ref # 1)       | 14031-1008   | 1        |
| COVER,L.H.ENGINE (Ref # 1)       | 14031-1008   | 1        |
| COVER,R.H.ENGINE (Ref # 2)       | 14032-1003   | 1        |
| COVER,R.H.ENGINE (Ref # 2)       | 14032-1003   | 1        |
| GASKET-R.H ENGINE COV (Ref # 3)  | 14046-002    | 1        |
| COVER-BRK POINT,CR (Ref # 4)     | 14027-007-79 | 1        |
| GASKET BREAKER COVER (Ref # 5)   | 14050-002    | 1        |
| COVER-OIL PUMP (Ref # 6)         | 14030-026    | 1        |
| SCREW PAN HEAD 6X12 (Ref # 7)    | 220B0612     | 4        |
| SCREW PAN HEAD 6X30 (Ref # 8)    | 220B0630     | 6        |
| SCREW PAN HEAD 6X45 (Ref # 9)    | 220B0645     | 3        |
| SCREW PAN HEAD 6X50 (Ref # 10)   | 220B0650     | 2        |
| "O" RING,12MM (Ref # 11)         | 670B2012     | 2        |
| PLUG OIL DRAIN (Ref # 12)        | 92067-001    | 1        |
| GASKET CHECK VALVE (Ref # 13)    | 92065-058    | 1        |
| GASKET CHECK VALVE (Ref # 13)    | 92065-058    | 1        |
| PLUG-OIL FILLER (Ref # 14)       | 92068-005    | 1        |
| "O" RING,OIL FIL PLUG (Ref # 15) | 92055-026    | 1        |
| SCREW PAN HEAD 6X8 (Ref # 16)    | 220B0608     | 1        |
| BOLT,HEX HEAD,6X14 (Ref # 16-1)  | 92001-121    | 1        |
| GASKET OIL LEVEL SCRW (Ref # 17) | 92065-035    | 1        |
| WASHER OIL PUMP BANJO (Ref # 17) | 92022-077    | 1        |