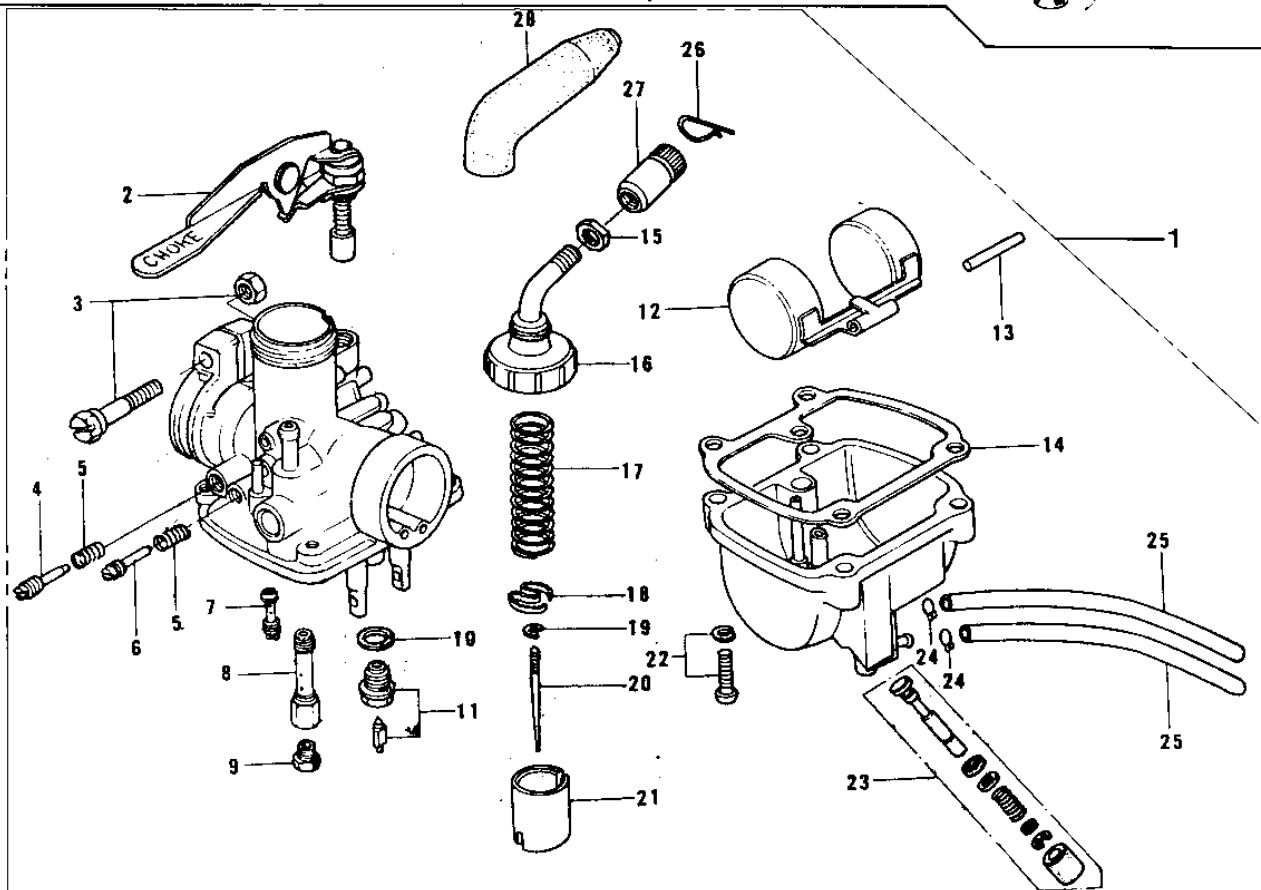
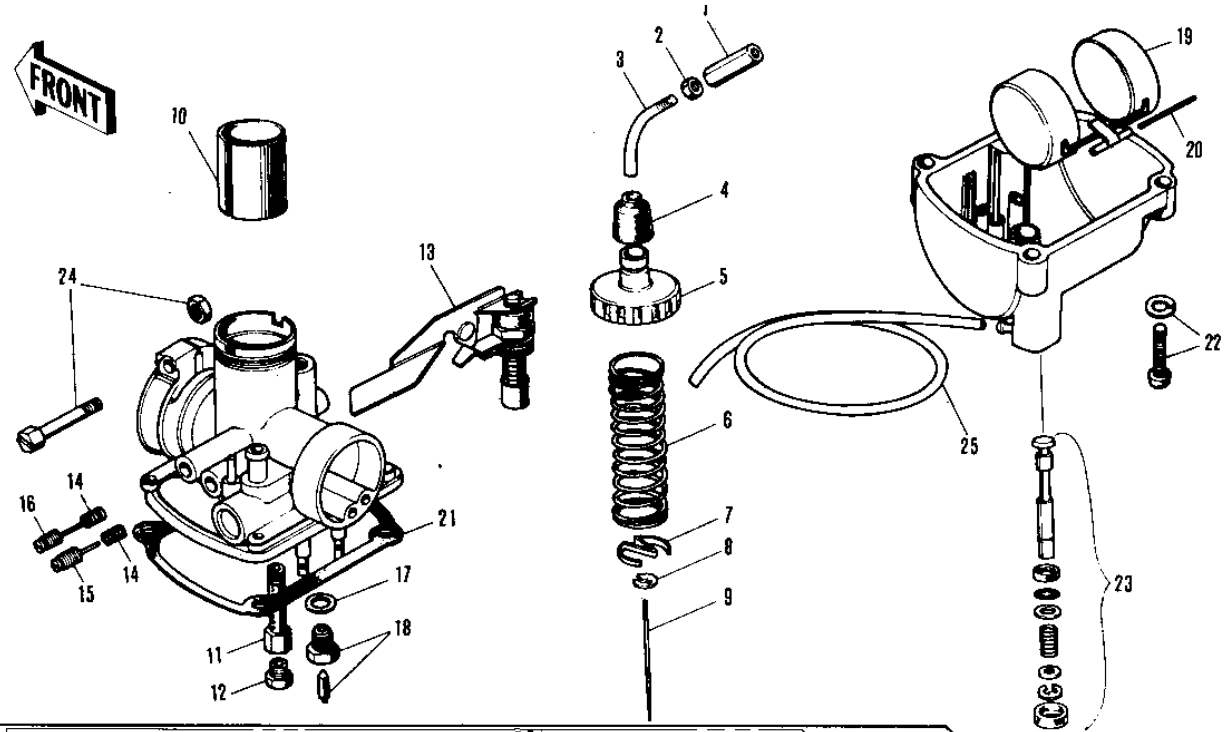


1972 MT1A PARTS DIAGRAM

CARBURETOR ('76-'80)



1972 MT1A PARTS LIST

CARBURETOR ('76-'80)

ITEM NAME	PART NUMBER	QUANTITY
CARBURETOR ASSY (Ref # 1-25)	16001-129	1
CABLE ADJUSTER (Ref # 1)	16002-004	1
NUT CABLE ADJUST LOCK (Ref # 2)	16003-004	1
*** N.L.A.*** (Canada) (Ref # 3)	16077-003	1
CAP-RUBBER (Ref # 4)	16037-001	1
TOP-MIXING CHANBER (Ref # 5)	16005-001	1
SPRING-THROTTLE VALVE (Ref # 6)	16006-001	1
SPRING SEAT THRTL VLV (Ref # 7)	16007-001	1
CIRCLIP (Ref # 8)	16008-010	1
JET NEEDLE 3G9 (Ref # 9)	16009-042	1
VALVE-THROTTLE CA2.0 (Ref # 10)	16025-038	1
NEEDLE JET E-0 (Ref # 11)	16017-051	1
MAIN JET NO 70M (Ref # 12)	92063-110	1
PLUNGER ASSY-STARTER (Ref # 13)	16016-009	1
SPRING-THR STOP SCREW (Ref # 14)	16022-007	2
SCREW STOP (Ref # 15)	16021-001	1
SCREW PILOT AIR ADJST (Ref # 16)	16014-002	1
WASHER VALVE SEAT (Ref # 17)	16029-002	1
FLOAT VALVE ASSY (Ref # 18)	16030-002	1
FLOAT (Ref # 19)	16031-014	1
FLOAT PIN (Ref # 20)	16032-003	1
GASKET (Ref # 21)	16019-011	1
SCREW-FLOAT CHAMBER (Ref # 22)	16033-012	4
SCREW-CLAMP (Ref # 24)	16010-005	1
CARBURETOR ASSY (Ref # 1)	16001-1033	1
PLUNGER ASSY-STARTER (Ref # 2)	16016-009	1
SCREW-CLAMP (Ref # 3)	16010-005	1
SCREW PILOT AIR ADJST (Ref # 4)	16014-002	1
SPRING-THR STOP SCREW (Ref # 5)	16022-007	2

1972 MT1A PARTS LIST

CARBURETOR ('76-'80)

ITEM NAME	PART NUMBER	QUANTITY
SCREW STOP (Ref # 6)	16021-001	1
PILOT JET,#A15 (Ref # 7)	92064-1018	1
WASHER VALVE SEAT (Ref # 10)	16029-002	1
FLOAT VALVE ASSY (Ref # 11)	16030-002	1
FLOAT (Ref # 12)	16031-014	1
FLOAT PIN (Ref # 13)	16032-003	1
GASKET (Ref # 14)	16019-011	1
NUT-CABLE ADJUST LOCK (Ref # 15)	16003-006	1
TOP,MIXING CHAMBER (Ref # 16)	16005-1003	1
SPRING-THROTTLE VALVE (Ref # 17)	16006-001	1
SPRING SEAT THRTL VLV (Ref # 18)	16007-001	1
SPRING SEAT THRTL VLV (Ref # 18)	16007-001	1
CLAMP,JET NEEDLE (Ref # 19)	92037-1117	1
CLAMP-TUBE (Ref # 19)	92037-1043	1
CLAMP,JET NEEDLE (Ref # 19)	92037-1117	1
JET NEEDLE 3G9 (Ref # 20)	16009-042	1
VALVE,THROTTLE,CA2.0 (Ref # 21)	16025-1004	1
SCREW-FLOAT CHAMBER (Ref # 22)	16033-012	4
EJECTOR ASSY-FUEL (Ref # 23)	16064-001	1
CLAMP-TUBE (Ref # 24)	92037-1043	2
TUBE,OVERFLOW,3X5X200 (Ref # 25)	92059-1015	2
CIRCLIP (Ref # 26)	92036-018	1
CABLE ADJUSTER (Ref # 27)	16002-007	1
BOOTS,CABLE ADJUSTER (Ref # 28)	49006-1010	1