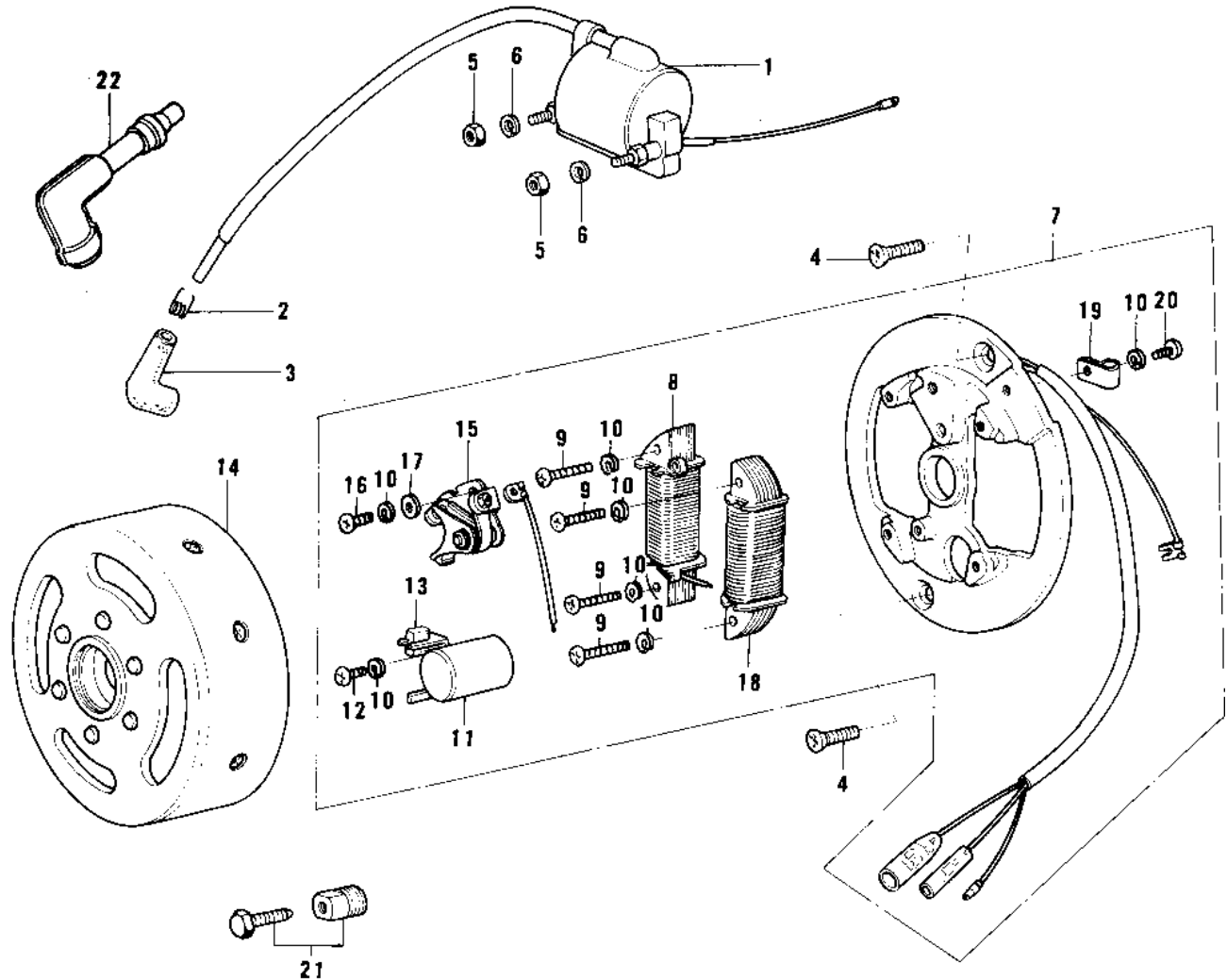


1976 KV75-A5 PARTS DIAGRAM

IGNITION/GENERATOR ('76-'80)



1976 KV75-A5 PARTS LIST

IGNITION/GENERATOR ('76-'80)

ITEM NAME	PART NUMBER	QUANTITY
COIL-IGNITION (Ref # 1)	21121-043	
SPRING-SPARK PLUG CAP (Ref # 2)	92101-001	
CAP SPARK PLUG (Ref # 3)	21130-009	
SCREW CNTSNK HD 6X16 (Ref # 4)	221B0616	
NUT 6MM (Ref # 5)	311B0600	
WASHER SPRING 6MM (Ref # 6)	461F0600	
STATOR ASSY. (Ref # 7)	21003-031	
COIL,PRIMARY (Ref # 8)	21047-026	
COIL A,PRIMARY IGNITI (Ref # 8)	21049-1002	
SCREW PAN HEAD 4X25 (Ref # 9)	220B0425	
WASHER SPRING 4MM (Ref # 10)	461F0400	
CONDENSER (Ref # 11)	21013-033	
CONDENSER (Ref # 11)	21013-1001	
SCREW PAN HEAD 4X10 (Ref # 12)	220B0410	
FELT OIL (Ref # 13)	21019-005	
FLYWHEEL (Ref # 14)	21050-021	
BREAKER,CONTACT (Ref # 15)	21008-024	
BREAKER ASSY,CONTACT (Ref # 15)	21008-1004	
SCREW PAN HEAD 4X10 (Ref # 16)	220B0410	
WASHER PLAIN 4MM (Ref # 17)	410B0400	
COIL,LIGHTING (Ref # 18)	21047-027	
CLAMP,LEAD WIRE (Ref # 19)	21037-005	
SCREW PAN HEAD 4X6 (Ref # 20)	220B0406	
57001-252 (Canada) (Ref # 21)	56019-033	
CAP,SPARK PLUG (Ref # 22)	21160-005	