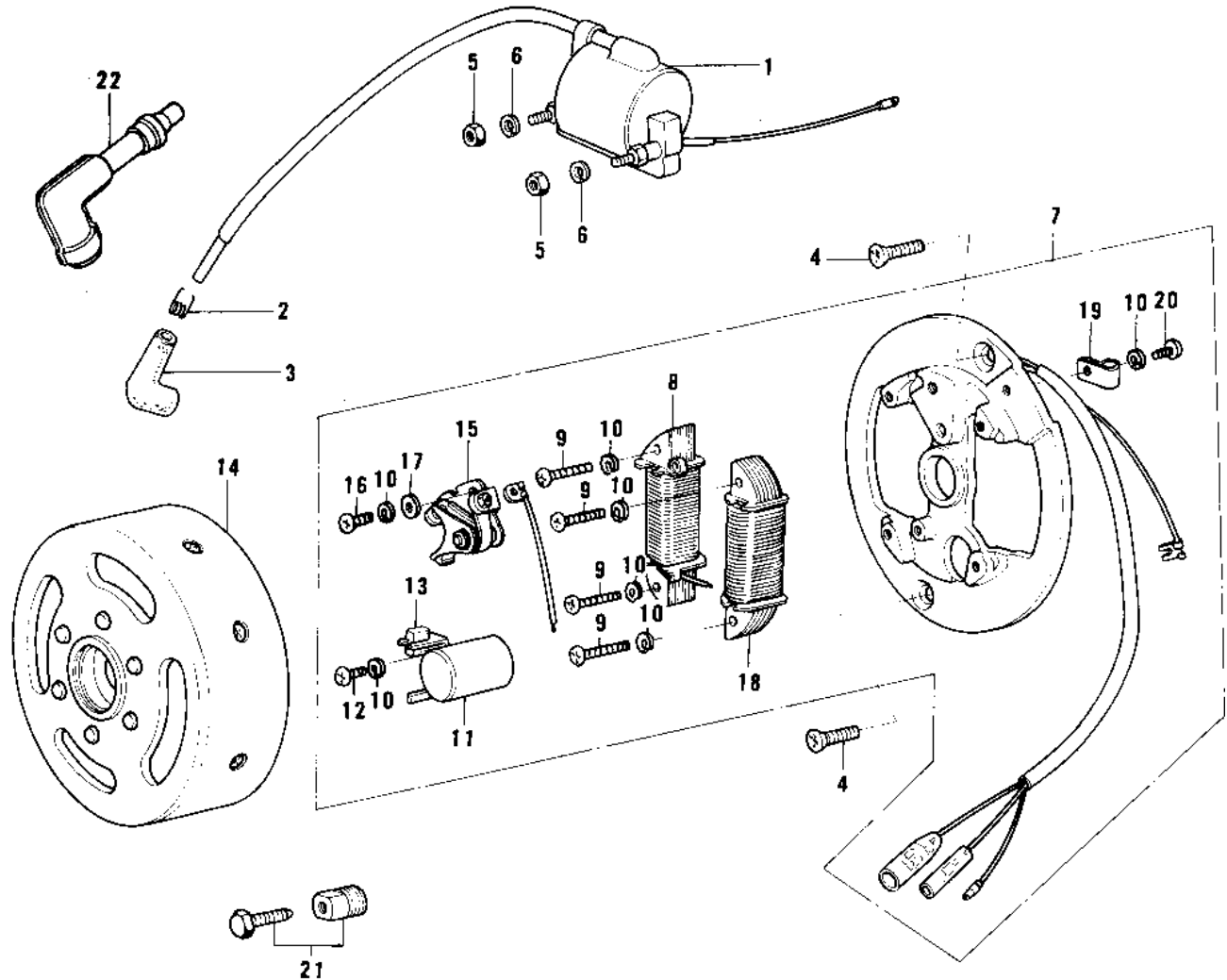


# 1978 KV75-A7 PARTS DIAGRAM

IGNITION/GENERATOR ('76-'80)



# 1978 KV75-A7 PARTS LIST

## IGNITION/GENERATOR ('76-'80)

| ITEM NAME                       | PART NUMBER | QUANTITY |
|---------------------------------|-------------|----------|
| COIL-IGNITION (Ref # 1)         | 21121-043   | 1        |
| SPRING-SPARK PLUG CAP (Ref # 2) | 92101-001   | 1        |
| CAP SPARK PLUG (Ref # 3)        | 21130-009   | 1        |
| SCREW CNTSNK HD 6X16 (Ref # 4)  | 221B0616    | 2        |
| NUT 6MM (Ref # 5)               | 311B0600    | 2        |
| WASHER SPRING 6MM (Ref # 6)     | 461F0600    | 2        |
| STATOR ASSY. (Ref # 7)          | 21003-031   | 1        |
| COIL,PRIMARY (Ref # 8)          | 21047-026   | 1        |
| COIL A,PRIMARY IGNITI (Ref # 8) | 21049-1002  | 1        |
| SCREW PAN HEAD 4X25 (Ref # 9)   | 220B0425    | 4        |
| WASHER SPRING 4MM (Ref # 10)    | 461F0400    | 7        |
| CONDENSER (Ref # 11)            | 21013-033   | 1        |
| CONDENSER (Ref # 11)            | 21013-1001  | 1        |
| SCREW PAN HEAD 4X10 (Ref # 12)  | 220B0410    | 1        |
| FELT OIL (Ref # 13)             | 21019-005   | 1        |
| FLYWHEEL (Ref # 14)             | 21050-021   | 1        |
| BREAKER,CONTACT (Ref # 15)      | 21008-024   | 1        |
| BREAKER ASSY,CONTACT (Ref # 15) | 21008-1004  | 1        |
| SCREW PAN HEAD 4X10 (Ref # 16)  | 220B0410    | 1        |
| WASHER PLAIN 4MM (Ref # 17)     | 410B0400    | 1        |
| COIL,LIGHTING (Ref # 18)        | 21047-027   | 1        |
| CLAMP,LEAD WIRE (Ref # 19)      | 21037-005   | 1        |
| SCREW PAN HEAD 4X6 (Ref # 20)   | 220B0406    | 1        |
| 57001-252 (Canada) (Ref # 21)   | 56019-033   | 1        |
| CAP,SPARK PLUG (Ref # 22)       | 21160-005   | 1        |