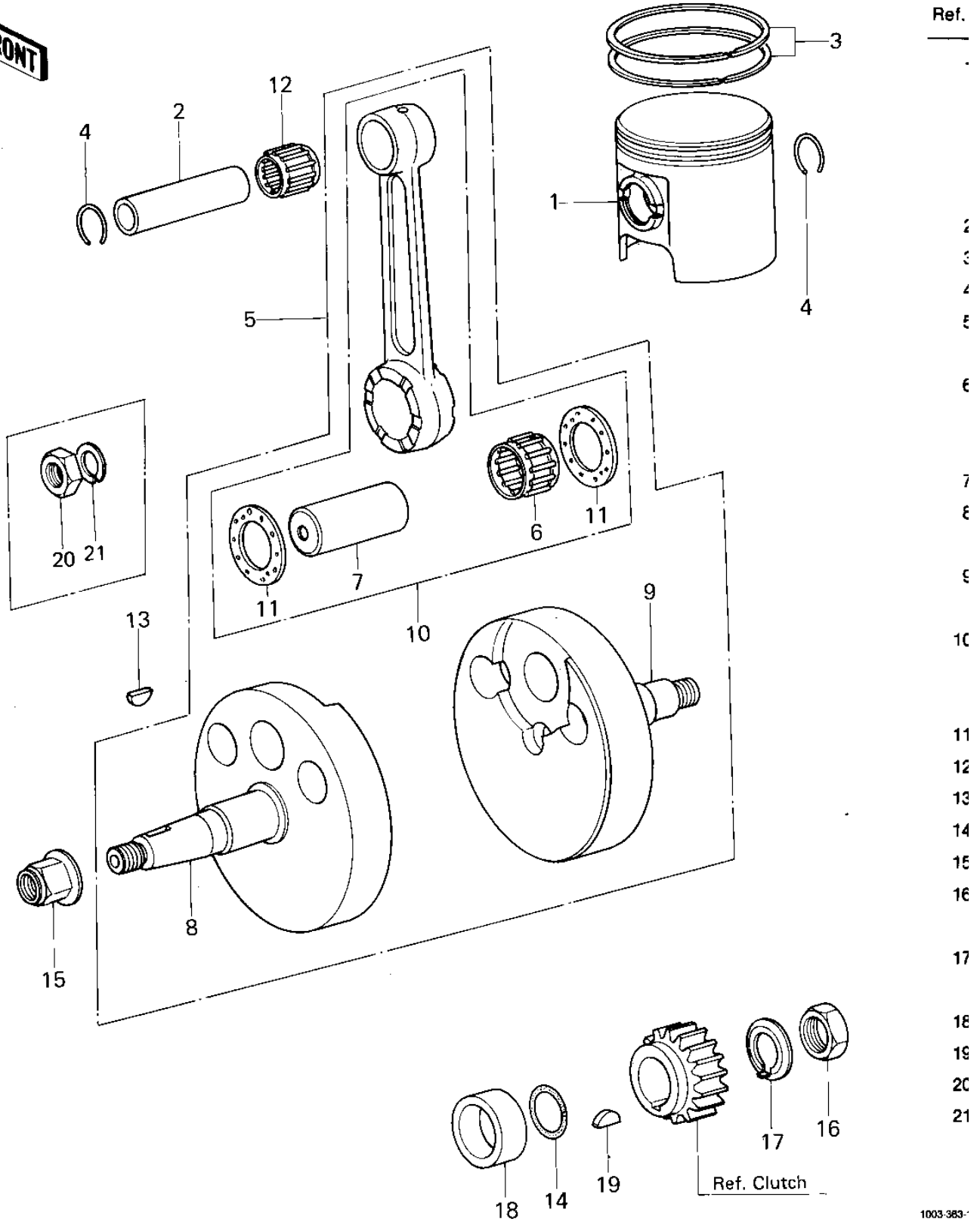


1980 KX80 PARTS DIAGRAM

CRANKSHAFT/PISTON



1003-383

1980 KX80 PARTS LIST

CRANKSHAFT/PISTON

ITEM NAME	PART NUMBER	QUANTITY
PISTON-ENGINE (Ref # 1)	13001-1082	
PISTON-ENGINE (Ref # 1)	13001-1082	
PISTON-ENGINE (Ref # 1)	13001-1082	
PIN-PISTON (Ref # 2)	13002-1009	
RING SET,PISTON,STD (Ref # 3)	13008-5011	
CIRCLIP PISTON PIN (Ref # 4)	92036-003	
CRANKSHAFT ASSY (Ref # 5)	13031-1019	
CRANKSHAFT ASSY (Ref # 5)	13031-1027	
BEARING,NEEDLE (Ref # 6)	13034-1015	
BEARING,NEEDLE (Ref # 6)	13034-1015	
PIN,CRANK (Ref # 7)	13035-1002	
CRANKSHAFT,L.H. (Ref # 8)	13037-1025	
CRANKSHAFT,L.H. (Ref # 8)	13037-1053	
CRANKSHAFT,R.H. (Ref # 9)	13037-1026	
CRANKSHAFT,R.H. (Ref # 9)	13037-1054	
CONNECTING ROD SET (Ref # 10)	13044-5014	
CONNECTING ROD SET (Ref # 10)	13044-5014	
WASHER SIDE (Ref # 11)	92025-005	
BEARING,SMALL END (Ref # 12)	13033-030	
WOODRUFF KEY (Ref # 13)	510A3200	
"O" RING,16MM (Ref # 14)	670B2016	
NUT,CYLINDER HEAD (Ref # 15)	92015-076	
NUT,12M/M (Ref # 16)	92015-1064	
NUT 12MM (Ref # 16)	92015-006	
WASHER,LOCK (Ref # 17)	92022-1063	
WASHER LOCK 12MM (Ref # 17)	92024-003	
COLLAR,20X28X12 (Ref # 18)	92027-1146	
WOODRUFF KEY PRY PINI (Ref # 19)	92038-003	
NUT,10M/M (Ref # 20)	314G1000	