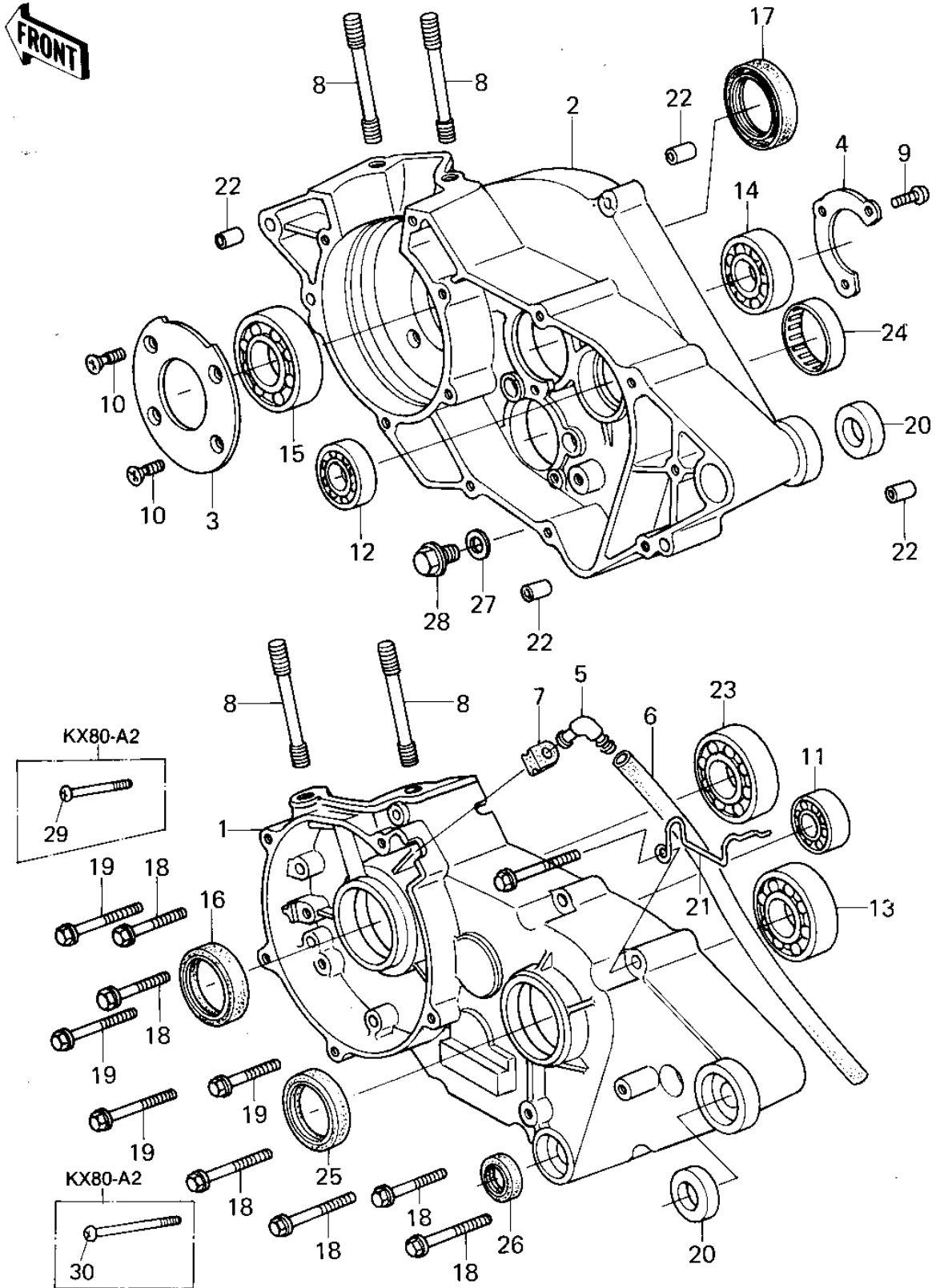


1980 KX80 PARTS DIAGRAM

CRANKCASE



1980 KX80 PARTS LIST

CRANKCASE

| ITEM NAME | PART NUMBER | QUANTITY |
|---------------------------------|-------------|----------|
| CRANKCASE,L.H. (Ref # 1) | 14002-1059 | |
| CRANKCASE,L.H,F.BLACK (Ref # 1) | 14002-1067 | |
| CRANKCASE,R.H. (Ref # 2) | 14002-1060 | |
| CRANKCASE,R.H,F.BLACK (Ref # 2) | 14002-1068 | |
| HOLDER CRANKSHAFT BRG (Ref # 3) | 14014-017 | |
| PLATE,POSITION,DRIVE (Ref # 4) | 14014-1010 | |
| BREATHER ASSY (Ref # 5) | 14069-1001 | |
| TUBE,6X9X750 (Ref # 6) | 92059-1372 | |
| GROMMET (Ref # 7) | 92071-042 | |
| STUD,8X105 (Ref # 8) | 172G08105 | |
| STUD-8X110 (Ref # 8) | 172G08110 | |
| SCREW PAN HEAD 6X14 (Ref # 9) | 220B0614 | |
| SCREW CNTSNK HD 6X16 (Ref # 10) | 221B0616 | |
| BEARING-BALL (Ref # 11) | 92045-1235 | |
| BEARING BALL #6002 (Ref # 12) | 601B6002 | |
| BEARING BALL #6004 (Ref # 13) | 601B6004 | |
| BEARING BALL #6203 (Ref # 14) | 601B6203 | |
| BEARING BALL #6204 (Ref # 15) | 601B6204 | |
| BEARING BALL #6205 (Ref # 15) | 601B6205 | |
| SEAL-OIL (Ref # 16) | 92049-1250 | |
| SEAL-OIL (Ref # 16) | 92049-1240 | |
| OIL SEAL,28X40X8 (Ref # 17) | 653B284008 | |
| SEAL-OIL (Ref # 17) | 92049-1250 | |
| BOLT,HEX HEAD,6X35 (Ref # 18) | 92001-164 | |
| BOLT,HEX HEAD,6X45 (Ref # 19) | 92001-165 | |
| COLLAR,12.6X26X7 (Ref # 20) | 92027-1147 | |
| CLAMP,TUBE (Ref # 21) | 92037-1128 | |
| PIN-DOWEL (Ref # 22) | 92042-007 | |
| BEARING,BALL,EC-6204 (Ref # 23) | 92045-1026 | |

1980 KX80 PARTS LIST

CRANKCASE

| ITEM NAME | PART NUMBER | QUANTITY |
|----------------------------------|-------------|----------|
| BEARING BALL #6205 (Ref # 23) | 601B6205 | |
| BRG,NEDL,37BTM4312 (Ref # 24) | 92046-051 | |
| OIL SEAL SC25376 (Ref # 25) | 92050-013 | |
| OIL SEAL,TB13225.5 (Ref # 26) | 92051-005 | |
| GASKET CHECK VALVE (Ref # 27) | 92065-058 | |
| PLUG (Ref # 28) | 92066-1241 | |
| SCREW-PAN-CROS,6X45,B (Ref # 29) | 220C0645 | |
| SCREW-PAN-CROS,6X35,B (Ref # 30) | 220C0635 | |