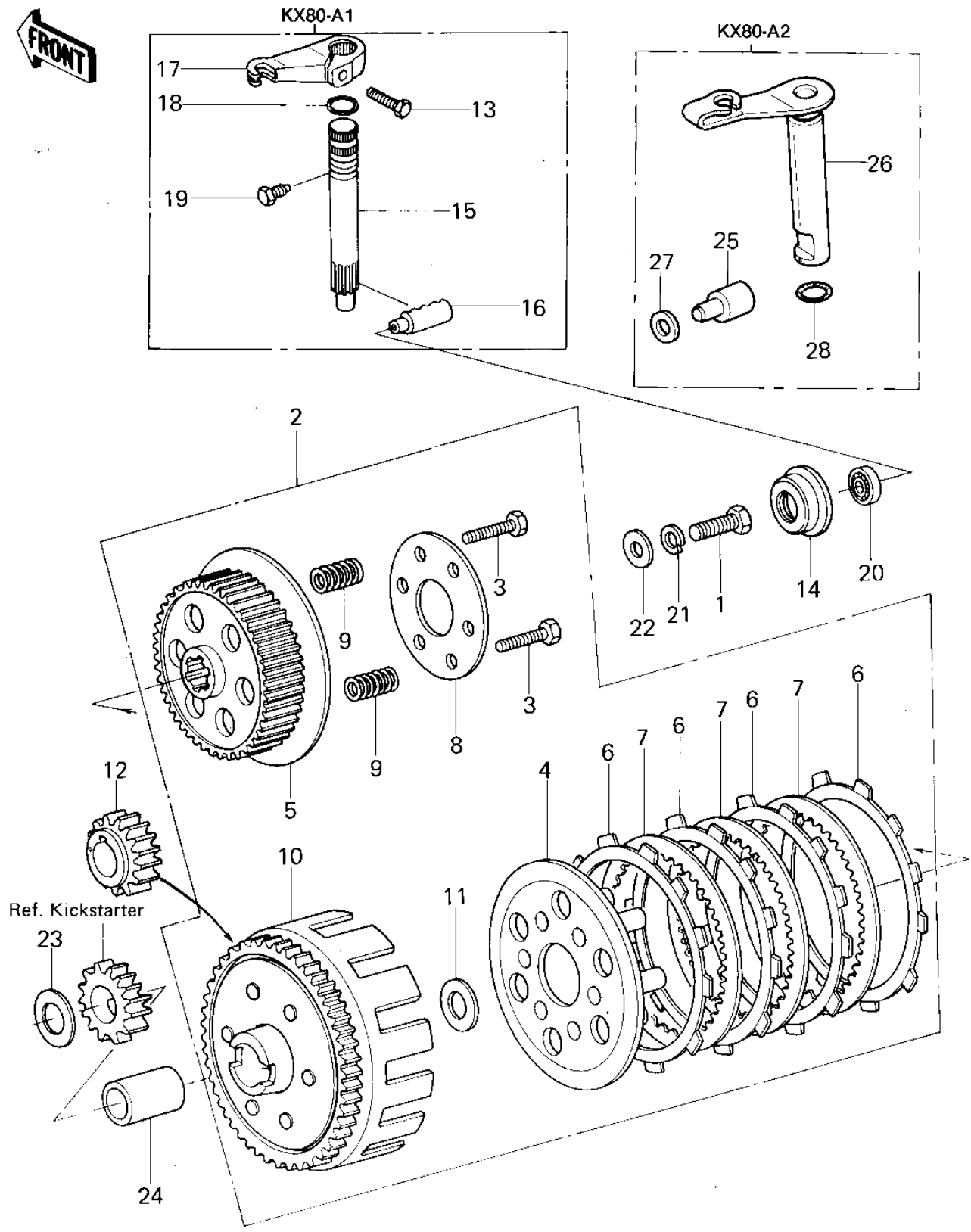


1979 KX80 PARTS DIAGRAM

CLUTCH



1979 KX80 PARTS LIST

CLUTCH

ITEM NAME	PART NUMBER	QUANTITY
BOLT,8X20 (Ref # 1)	115G0820	1
CLUTCH-ASSY (Ref # 2)	13081-1028	1
CLUTCH-ASSY (Ref # 2)	13081-1028	1
BOLT-UPSET (Ref # 3)	112G0516	6
BOLT (Ref # 3)	110G0520	6
WHEEL,CLUTCH (Ref # 4)	13086-1002	1
HUB-CLUTCH (Ref # 5)	13087-1113	1
PLATE,CLUTCH FRICTION (Ref # 6)	13088-1010	4
PLATE-CLUTCH,STEEL (Ref # 7)	13089-1009	3
HOLDER,CLUTCH SPRING (Ref # 8)	13091-1115	1
SPRING,CLUTCH (Ref # 9)	92081-1143	6
SPRING,CLUTCH (Ref # 9)	92081-1175	6
HOUSING,CLUTCH (Ref # 10)	13095-1018	1
HOUSING,CLUTCH (Ref # 10)	13095-1018	1
SPACER,17X30X2 (Ref # 11)	92026-1034	1
GEAR,PRIMARY,22T (Ref # 12)	13097-1015	1
GEAR,PRIMARY (Ref # 12)	13097-1021	1
BOLT-UPSET (Ref # 13)	112G0618	1
HOLDER,CLUTCH PUSHER (Ref # 14)	13091-1038	1
SHAFT,CLUTCH RELEASE (Ref # 15)	13106-1003	1
PUSHER,CLUTCH (Ref # 16)	13114-1003	1
LEVER,CLUTCH RELEASE (Ref # 17)	13168-1023	1
"O" RING,9MM (Ref # 18)	670B1509	1
BOLT,CLUTCH RELEASE (Ref # 19)	92003-130	1
BEARING-BALL (Ref # 20)	92045-1211	1
WASHER SPRING 8MM (Ref # 21)	461F0800	1
WASHER,8.5X20X1.6 (Ref # 22)	92022-1561	1
WASHER,17.3X28X1.0 (Ref # 23)	92022-255	1
BUSHING,CLUTCH (Ref # 24)	92028-1057	1

1979 KX80 PARTS LIST

CLUTCH

ITEM NAME	PART NUMBER	QUANTITY
PUSHER,CLUTCH (Ref # 25)	13114-1004	1
LEVER,CLUTCH RELEASE (Ref # 26)	13236-1019	1
WASHER PLAIN 6MM (Ref # 27)	410B0600	AR
"O" RING,8.8MM (Ref # 28)	92055-099	1