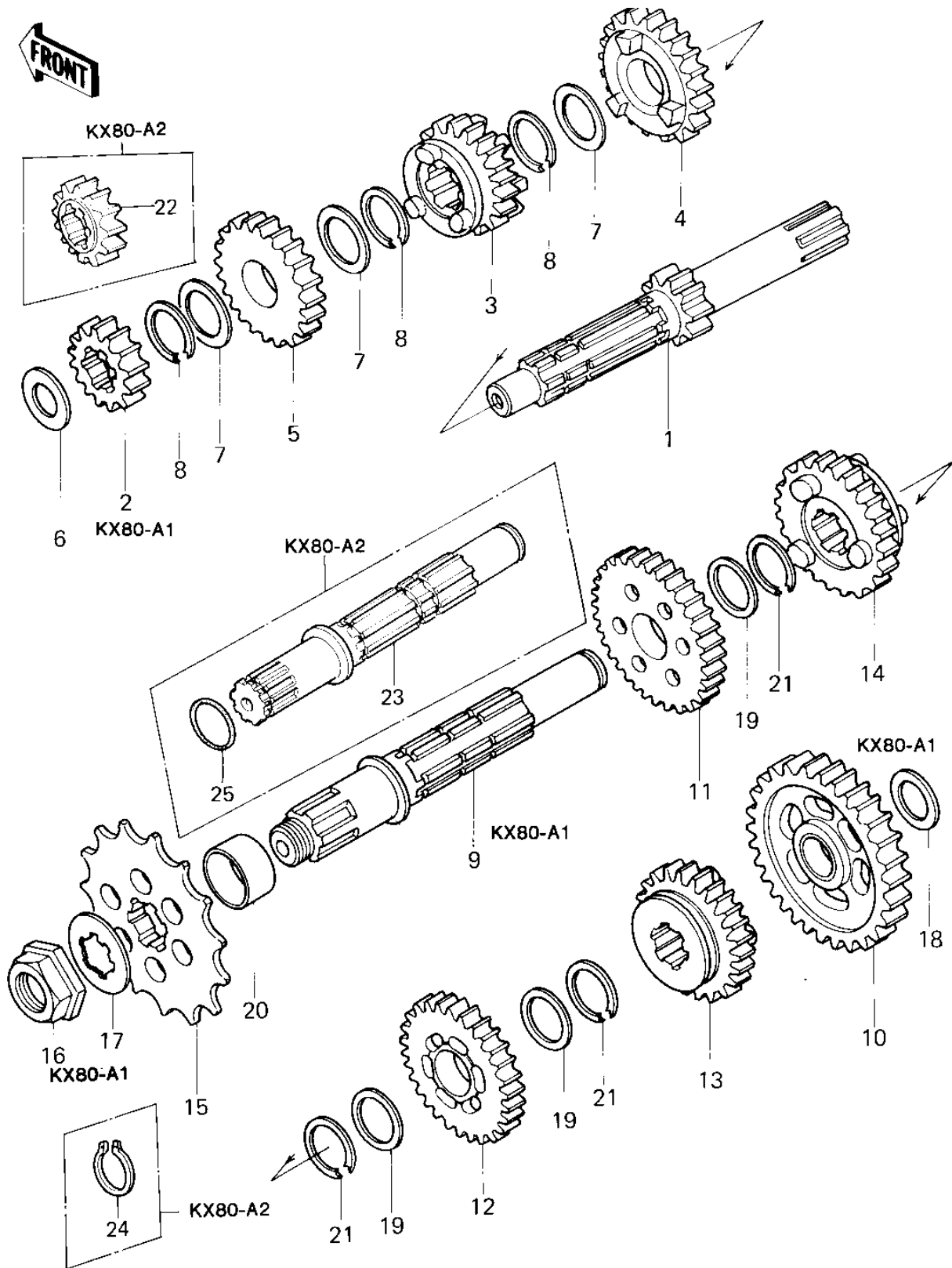


1980 KX80 PARTS DIAGRAM

TRANSMISSION



1980 KX80 PARTS LIST

TRANSMISSION

ITEM NAME	PART NUMBER	QUANTITY
SHAFT,DRIVE (Ref # 1)	13127-1011	
SHAFT,DRIVE,14T (Ref # 1)	13127-1020	
2ND GEAR,DRIVE SHAFT (Ref # 2)	13129-1106	
3RD GEAR,DRIVE SHAFT (Ref # 3)	13129-1108	
3RD GEAR,DRIVE SHAFT (Ref # 3)	13129-1151	
4TH GEAR,DRIVE SHAFT (Ref # 4)	13129-1110	
TOP GEAR,DRIVE SHAFT (Ref # 5)	13129-1112	
WASHER PLAIN 12MM (Ref # 6)	92022-123	
SPACER,17.2X23X0.5 (Ref # 7)	92026-1037	
RING,SNAP (Ref # 8)	92033-1060	
SHAFT,OUTPUT (Ref # 9)	13128-1018	
LOW GEAR,OUTPUT SHAFT (Ref # 10)	13129-1105	
LOW GEAR,OUTPUT SHAFT (Ref # 10)	13129-1152	
2ND GEAR,OUTPUT SHAFT (Ref # 11)	13129-1107	
2ND GEAR,OUTPUT SHAFT (Ref # 11)	13129-1153	
3RD GEAR,OUTPUT SHAFT (Ref # 12)	13129-1109	
4TH GEAR,OUTPUT SHAFT (Ref # 13)	13129-1111	
TOP GEAR,OUTPUT SHAFT (Ref # 14)	13129-1113	
SPROCKET,ENGINE,14T (Ref # 15)	13144-1022	
SPROCKET,ENGINE,13T (Ref # 15)	13144-1023	
SPROCKET,ENGINE,15T (Ref # 15)	13144-1024	
NUT,14M/M (Ref # 16)	92015-1062	
WASHER,SPLINE (Ref # 17)	92022-1113	
SPACER,15.3X22X1.0 (Ref # 18)	92026-1036	
SPACER,18.2X24X0.5 (Ref # 19)	92026-1039	
COLLAR,ENG SPROCKET (Ref # 20)	92027-1077	
CIRCLIP (Ref # 21)	92033-028	
2ND GEAR,DRIVE SHAFT (Ref # 22)	13129-1150	
SHAFT,OUTPUT (Ref # 23)	13128-1024	

1980 KX80 PARTS LIST

TRANSMISSION

ITEM NAME	PART NUMBER	QUANTITY
CIRCLIP, 20MM (Ref # 24)	480J2000	
"0" RING (Ref # 25)	92055-022	