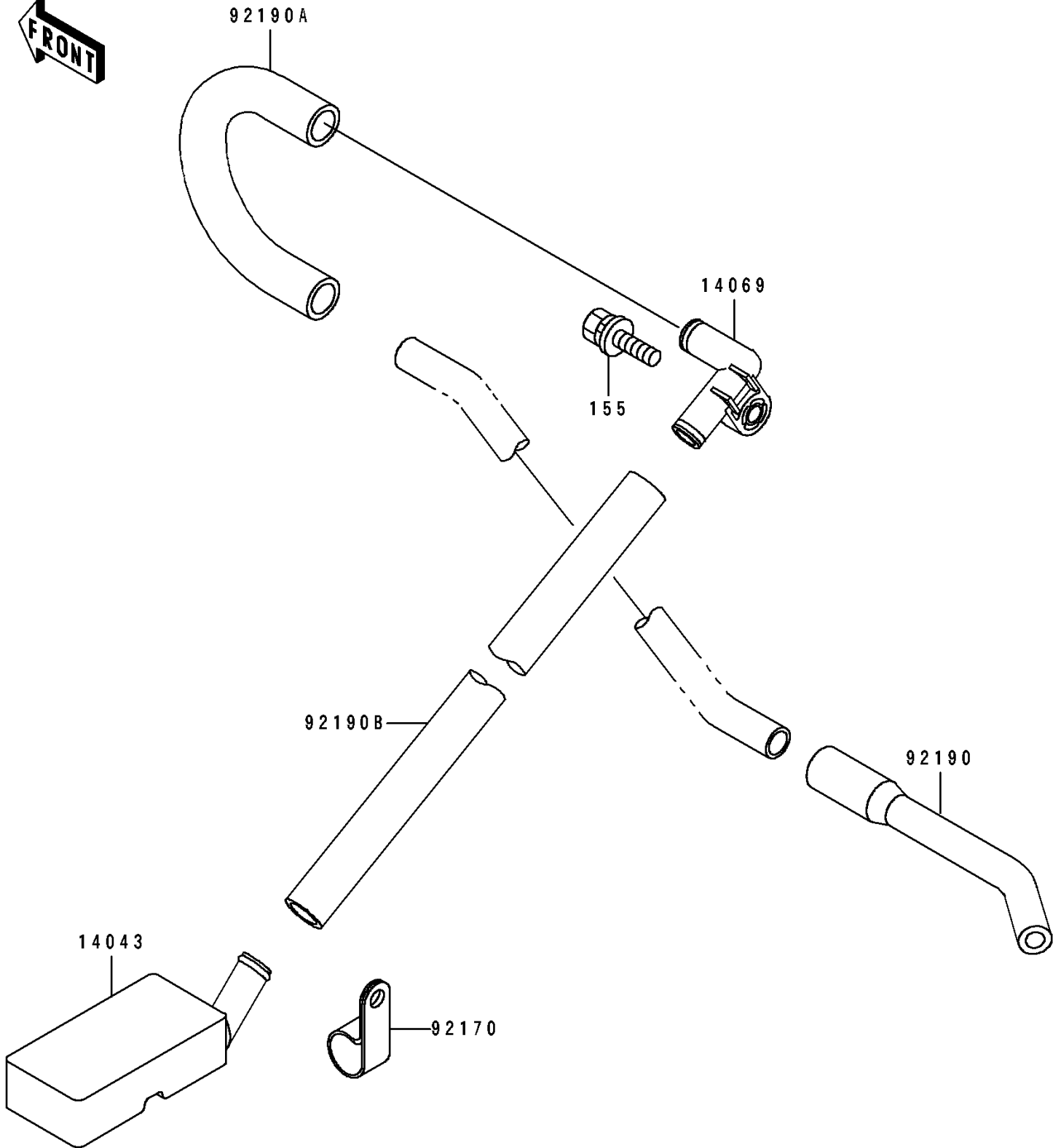


1990 550 SX PARTS DIAGRAM

Bilge

F3145



1990 550 SX PARTS LIST

Bilge

| ITEM NAME | PART NUMBER | QUANTITY |
|-----------------------------------|-------------|----------|
| FILTER,BILGE (Ref # 14043) | 14043-3703 | 1 |
| BREATHER,BILGE (Ref # 14069) | 14069-3705 | 1 |
| CLAMP (Ref # 92170) | 92170-3704 | 1 |
| TUBE,HULL-PUMP (Ref # 92190) | 92190-3711 | 1 |
| TUBE (Ref # 92190A) | 92190-3713 | 1 |
| TUBE,15.5X21.5X260 (Ref # 92190B) | 92190-3720 | 1 |
| BOLT-WSP-SMALL,8X25 (Ref # 155) | 155R0825 | 1 |