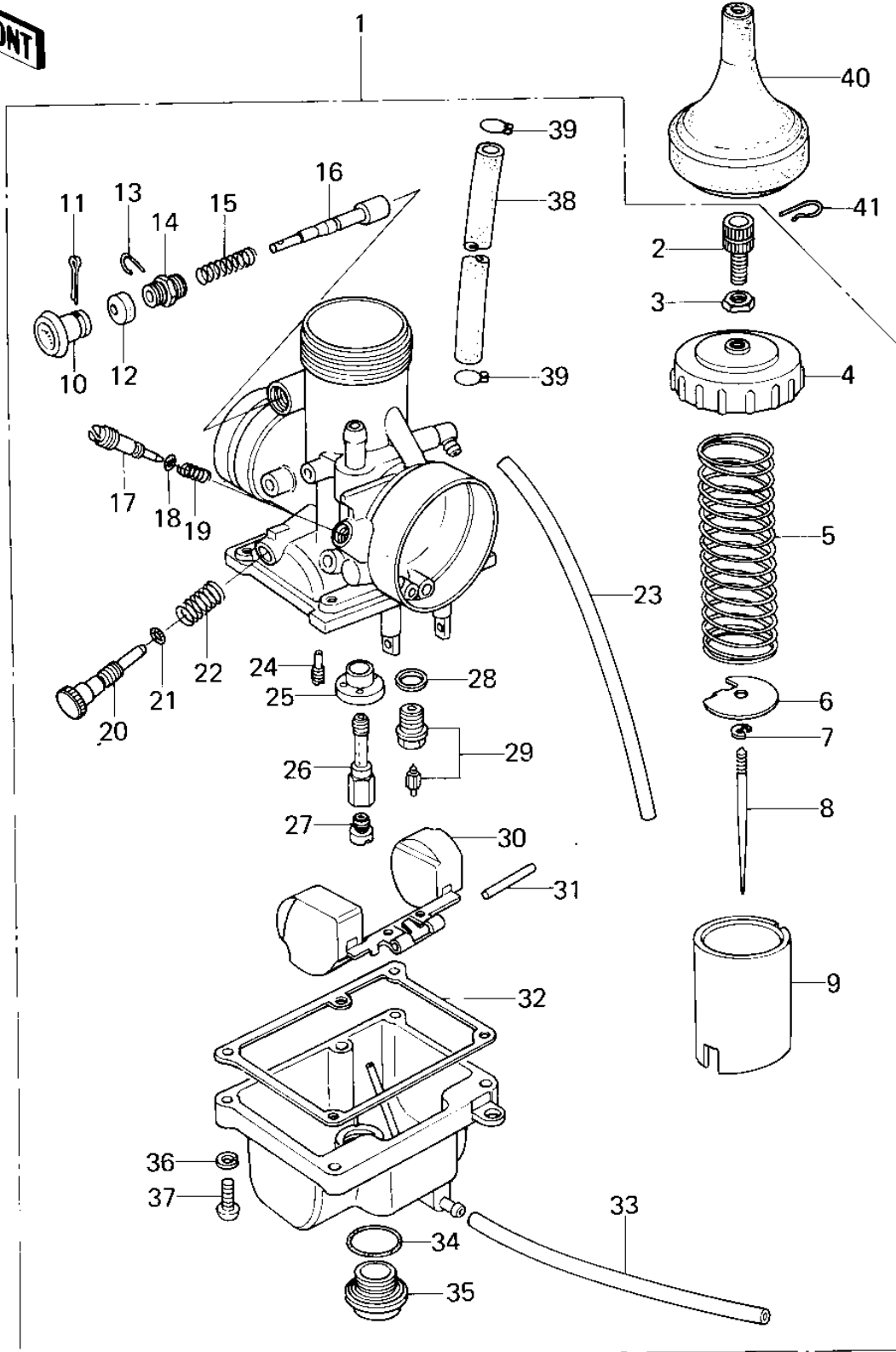


1979 KX80 PARTS DIAGRAM

CARBURETOR (KX80-A1)



1979 KX80 PARTS LIST

CARBURETOR (KX80-A1)

ITEM NAME	PART NUMBER	QUANTITY
CARBURETOR ASSY (Ref # 1)	16001-1096	1
CABLE ADJUSTER (Ref # 2)	16002-011	1
NUT-CABLE ADJUST LOCK (Ref # 3)	16003-006	1
CAP,MIXING CHAMBER (Ref # 4)	16004-025	1
SPRING,THROTTLE VALV (Ref # 5)	16006-023	1
SPRING SEAT,THRTL VL (Ref # 6)	16007-023	1
CIRCLIP (Ref # 7)	16008-010	1
JET NEEDLE,4J28 (Ref # 8)	16009-1034	1
VALVE,THROTTLE,C.A1.5 (Ref # 9)	16025-1028	1
KNOB,STARTER PLUNGER (Ref # 10)	92077-1009	1
PIN COTTER 1.6X15 (Ref # 11)	550D1615	1
CAP,STARTER PLUNGER (Ref # 12)	16036-012	1
CIRCLIP (Ref # 13)	92037-1077	1
CAP,STARTER PLUNGER (Ref # 14)	16012-021	1
SPRING,STARTER PLUNGR (Ref # 15)	16013-011	1
PLUNGER ASSY,STARTER (Ref # 16)	16016-1004	1
SCREW,PILOT AIR (Ref # 17)	16014-1013	1
"O" RING (Ref # 18)	16038-022	1
SPRING,AIR SCREW (Ref # 19)	92081-1153	1
SCREW,THROTTLE ADJST (Ref # 20)	16021-1012	1
"O" RING (Ref # 21)	92055-044	1
SPRING,THROTTLE ADJST (Ref # 22)	92081-1152	1
TUBE,3X5X300 (Ref # 23)	92059-1755	1
PILOT JET,#35 (Ref # 24)	92064-1023	1
HOLDER,NEEDLE JET (Ref # 25)	16065-1020	1
NEEDLE JET,O-0 (Ref # 26)	16017-1037	1
JET-MAIN NO 132.5R (Ref # 27)	92063-103	1
JET-MAIN,#A127.5 (Ref # 27)	92063-1100	(1
MAIN JET NO 130R (Ref # 27)	92063-057	(1

1979 KX80 PARTS LIST

CARBURETOR (KX80-A1)

ITEM NAME	PART NUMBER	QUANTITY
MAIN JET NO 135R (Ref # 27)	92063-104	(1
MAIN JET,#A137.5 (Ref # 27)	92063-1087	(1
WASHER FLOAT VLV SEAT (Ref # 28)	16029-004	1
FLOAT VALVE ASSY,2.6 (Ref # 29)	16030-1004	1
FLOAT (Ref # 30)	16031-1005	1
FLOAT PIN (Ref # 31)	16032-003	1
GASKET,FLOAT CHAMBER (Ref # 32)	11009-1147	1
TUBE,3X5X300 (Ref # 33)	92059-1755	1
"0" RING,MAIN JET COV (Ref # 34)	92055-1061	1
COVER,MAIN JET (Ref # 35)	16049-1001	1
WASHER SPRING 4MM (Ref # 36)	461F0400	4
SCREW PAN HEAD 4X16 (Ref # 37)	220B0416	4
TUBE,5.3X10.5X155 (Ref # 38)	92059-1080	1
CLAMP-PIPE (Ref # 39)	92037-072	2
BOOT,CARBURETOR (Ref # 40)	49006-1024	1
CIRCLIP (Ref # 41)	92036-018	1