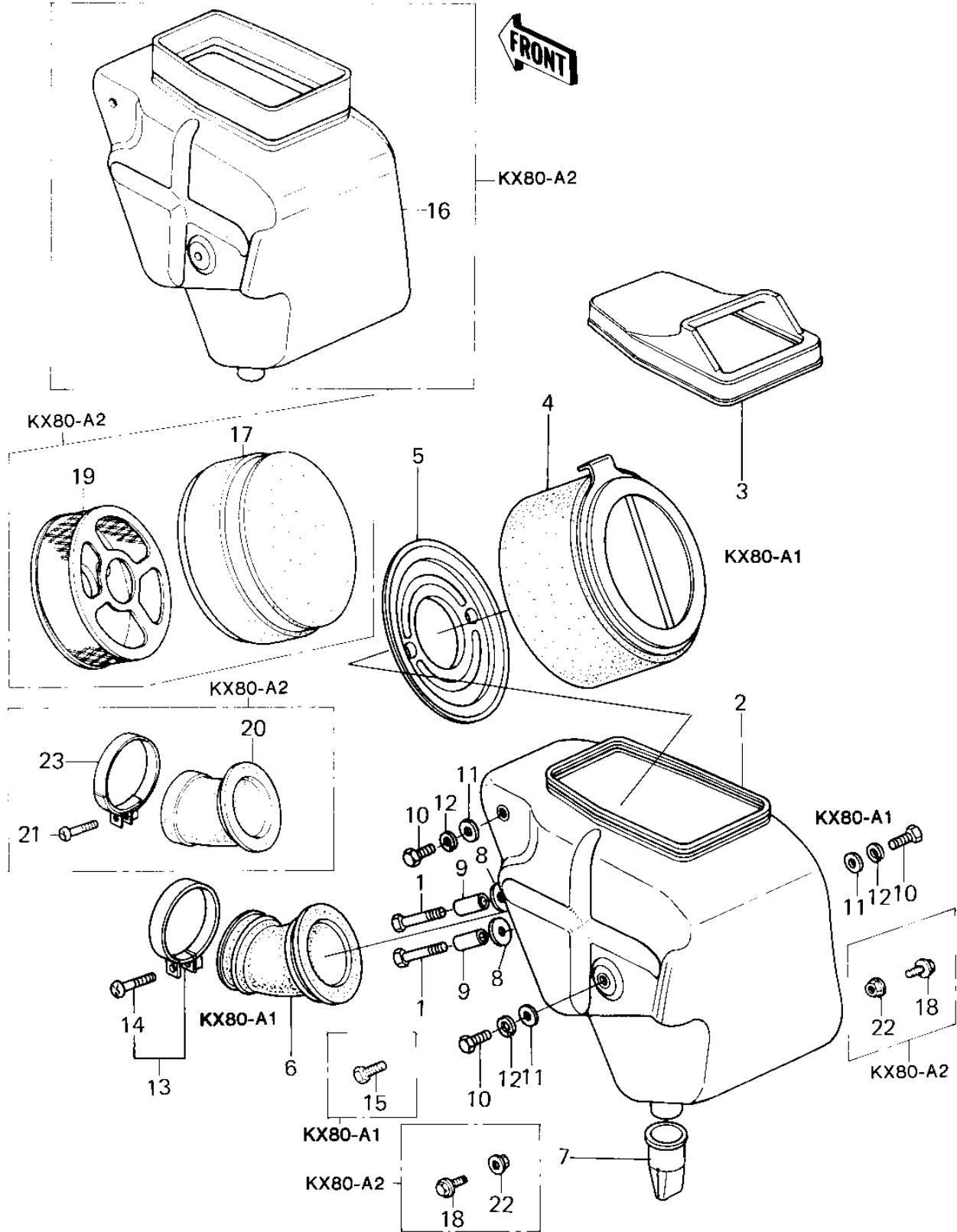


1979 KX80 PARTS DIAGRAM

AIR CLEANER



1979 KX80 PARTS LIST

AIR CLEANER

ITEM NAME	PART NUMBER	QUANTITY
BOLT-UPSET (Ref # 1)	112G0625	2
CASE,AIR CLEANER (Ref # 2)	11011-1045	1
CAP,AIR CLEANER (Ref # 3)	11012-1068	1
ELEMENT,AIR CLNR (Ref # 4)	11013-1016	1
PLATE,AIR CLEANER (Ref # 5)	13169-1162	1
DUCT,AIR CLEANER (Ref # 6)	14073-1017	1
BOOT (Ref # 7)	49006-1012	1
WASHER 6.5X20X1.6T (Ref # 8)	92022-125	2
COLLAR (Ref # 9)	92027-169	2
BOLT-UPSET,6X12 (Ref # 10)	112G0612	3
WASHER PLAIN 6MM (Ref # 11)	411B0600	3
WASHER SPRING 6MM (Ref # 12)	461F0600	3
CLAMP (Ref # 13)	92037-1326	1
SCREW-PAN-CROS,6X35,B (Ref # 14)	220C0635	1
BOLT,6X10 (Ref # 15)	112G0610	2
CASE,AIR CLEANER (Ref # 16)	11011-1045	1
ELEMENT,AIR CLNR (Ref # 17)	11013-1029	1
BOLT,FLANGED,6X12 (Ref # 18)	130G0612	3
HOLDER,ELEMENT (Ref # 19)	13091-1063	1
DUCT,AIR CLEANER (Ref # 20)	14073-1039	1
SCREW PAN HEAD 4X25 (Ref # 21)	220B0425	1
NUT-6MM (Ref # 22)	92015-1078	3
CLAMP,CARBURETOR HOLD (Ref # 23)	92037-1484	1