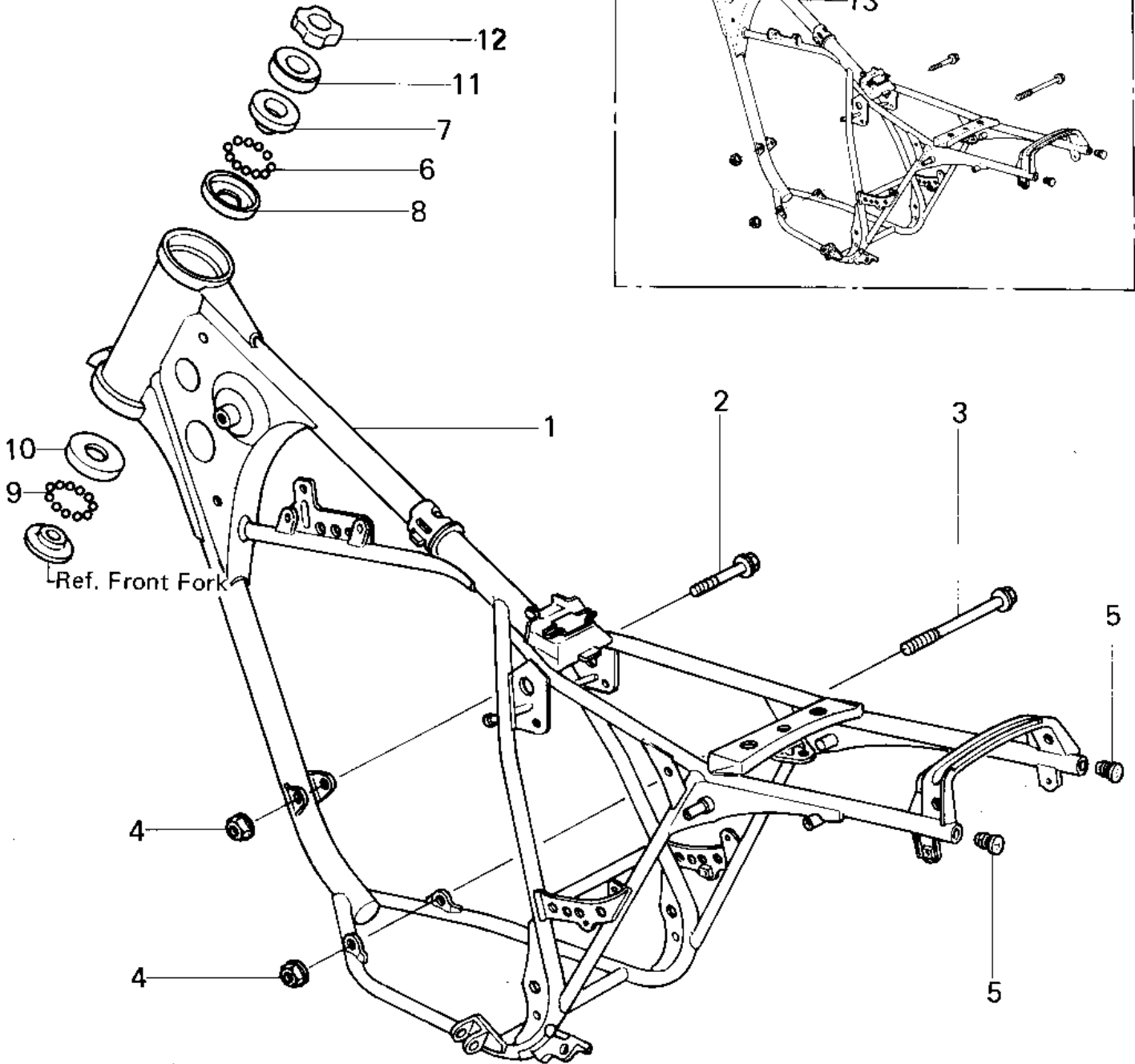
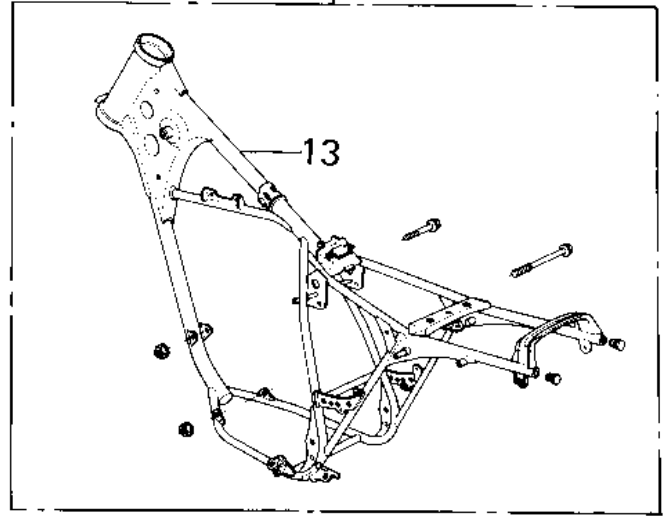


1980 KX80 PARTS DIAGRAM

FRAME/FRAME FITTINGS



KX80-A2



1980 KX80 PARTS LIST

FRAME/FRAME FITTINGS

ITEM NAME	PART NUMBER	QUANTITY
FRAME (Ref # 1)	32002-1046	
BOLT,FLANGED,8X55 (Ref # 2)	130G0855	
BOLT,FLANGED,8X115 (Ref # 3)	92001-1113	
NUT,8M/M (Ref # 4)	92015-1014	
PLUG,FRAME END (Ref # 5)	92066-1034	
BALL STEEL 3/16' (Ref # 6)	600A0600	
CONE,STRG STM BRG,UP (Ref # 7)	92047-014	
RACE,STRG STM BEARING (Ref # 8)	92048-009	
BALL STEEL 1/4' (Ref # 9)	600A0800	
RACE STEERING BEARING (Ref # 10)	92048-005	
CAP,STEERING STEM (Ref # 11)	46098-018	
NUT,STEERING STEM (Ref # 12)	92090-022	
FRAME (Ref # 13)	32002-1120	