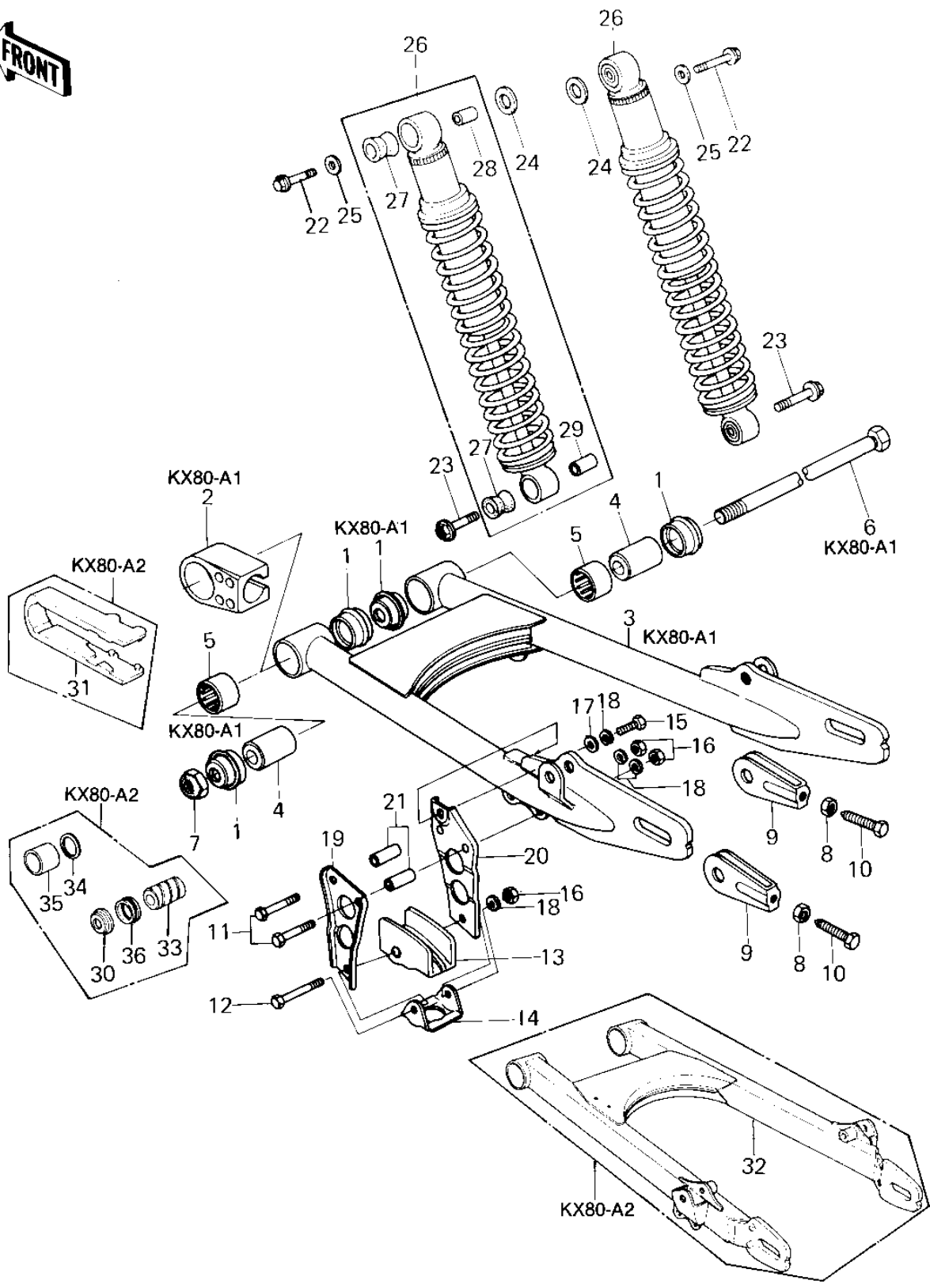


1980 KX80 PARTS DIAGRAM

SWING ARM/SHOCK ABSORBERS



1980 KX80 PARTS LIST

SWING ARM/SHOCK ABSORBERS

ITEM NAME	PART NUMBER	QUANTITY
CAP,SWING ARM (Ref # 1)	11012-1065	
GUIDE,CHAIN (Ref # 2)	12053-1029	
ARM,SWING (Ref # 3)	33001-1053-10	
ARM,SWING (Ref # 3)	33001-1053-10	
SLEEVE,SWING ARM (Ref # 4)	42036-1022	
BEARING-NEEDLE,HK2216 (Ref # 5)	92046-1115	
SHAFT,SWING ARM PIVOT (Ref # 6)	33032-1007	
NUT (Ref # 7)	92015-1774	
NUT 6MM (Ref # 8)	311B0600	
ADJUSTER,CHAIN (Ref # 9)	33040-1009	
BOLT,6X38 (Ref # 10)	92001-1463	
BOLT 6X35 (Ref # 11)	110R0635	
BOLT-UPSET (Ref # 12)	112G0645	
GUIDE,CHAIN (Ref # 13)	12053-1030	
RETAINER,CHAIN GUIDE (Ref # 14)	14020-1006	
BOLT-UPSET 6X14 (Ref # 15)	112B0614	
NUT 6MM (Ref # 16)	311B0600	
WASHER PLAIN 6MM (Ref # 17)	411B0600	
WASHER SPRING 6MM (Ref # 18)	461F0600	
GUARD,CHAIN,OUTSIDE (Ref # 19)	55020-1017	
GUARD,CHAIN,INSIDE (Ref # 20)	55020-1018	
SPACER,10X13.2X22 (Ref # 21)	92026-1040	
BOLT-FLANGED,6X10 (Ref # 22)	130G0610	
BOLT,FLANGED,10X30 (Ref # 23)	92001-1104	
BOLT,FLANGED,10X33 (Ref # 23)	92001-1308	
WASHER,12.3X22X1.6 (Ref # 24)	92022-1065	
WASHER 6.5X22X1.6T (Ref # 25)	92022-237	
SHOCK ABSBR RR (Ref # 26)	45014-1041	
SHOCK ABSBR RR (Ref # 26)	45014-1053	

1980 KX80 PARTS LIST

SWING ARM/SHOCK ABSORBERS

ITEM NAME	PART NUMBER	QUANTITY
BUSHING, SHCK ABS RUB (Ref # 27)	45017-012	
COLLAR,SHOCK ABSORBER (Ref # 28)	92027-1016	
BUSHING,SHOCK ABSORB (Ref # 29)	45016-008	
CAP,SWING ARM (Ref # 30)	11012-1110	
GUIDE,CHAIN (Ref # 31)	12053-1044	
ARM,SWING (Ref # 32)	33001-1052	
SLEEVE,SWING ARM (Ref # 33)	42036-1033	
SHIM,22.1X27.6X0.5 (Ref # 34)	92025-1197	
BUSHING,22X28X23.5 (Ref # 35)	92028-1078	
OIL SEAL (Ref # 36)	92049-1053	
SPRING,SHOCK ABSORBER (Ref # 37)	92081-1169	