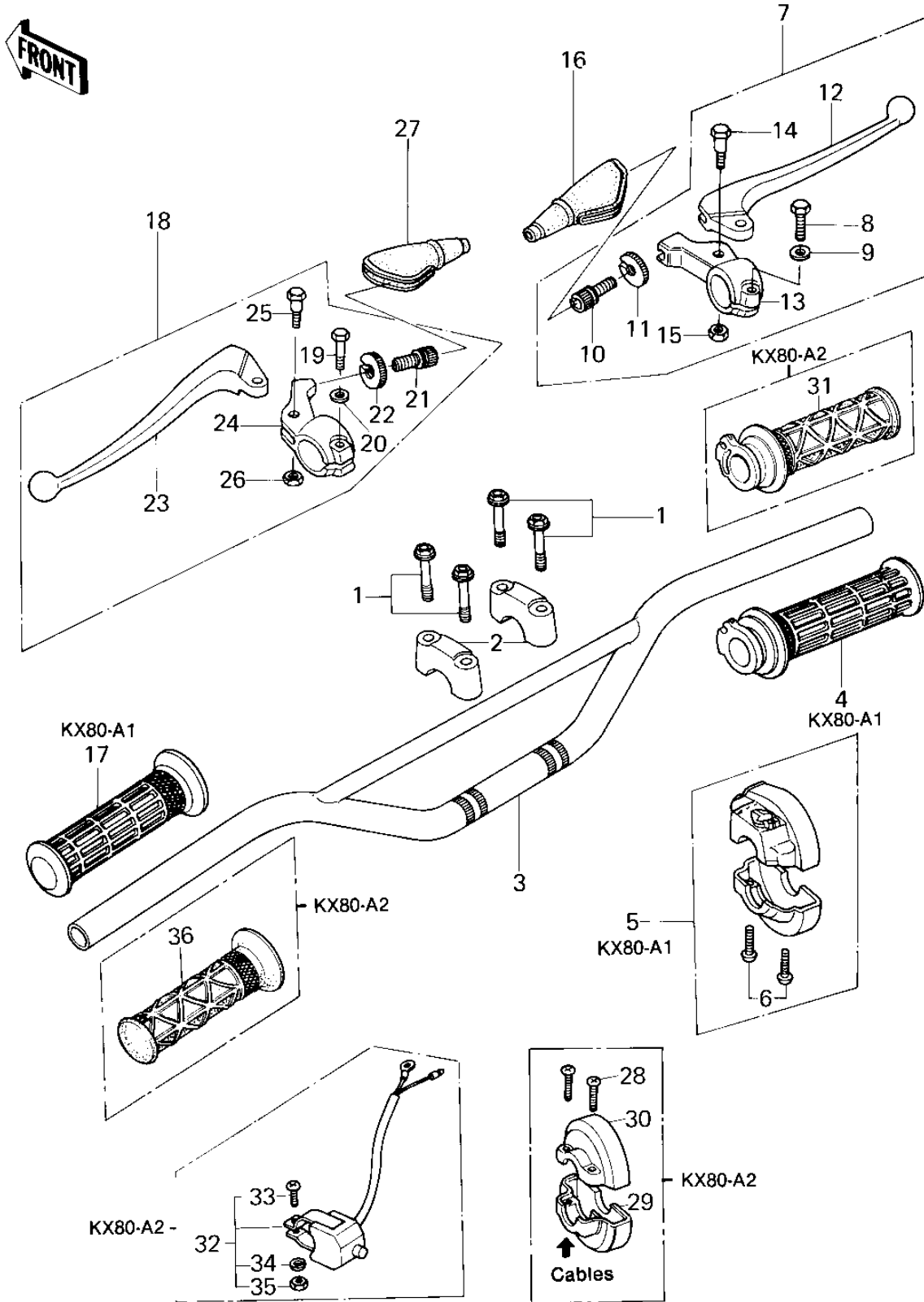


1979 KX80 PARTS DIAGRAM

HANDLEBAR



1979 KX80 PARTS LIST

HANDLEBAR

ITEM NAME	PART NUMBER	QUANTITY
BOLT,FLANGED,8X35 (Ref # 1)	130G0835	4
HOLDER-HANDLEBAR (Ref # 2)	46012-008	2
HANDLEBAR,FLAT BLACK (Ref # 3)	46003-1053	1
HANDLEBAR,FLAT BLACK (Ref # 3)	46003-1053	1
GRIP ASSY,THROTTLE (Ref # 4)	46019-1005	1
HOUSING ASSY,CONT,R.H (Ref # 5)	46091-1041	1
SCREW, PAN HEAD, 5 X 18 (Ref # 6)	220B0518A	2
LEVER ASSY,FRNT BRAKE (Ref # 7)	46021-025	1
BOLT HEX HEAD 6X25 (Ref # 8)	110N0625	1
WASHER,PLAIN,6MM (Ref # 9)	410D0600	1
SCREW CABLE ADJUST (Ref # 10)	46055-003	1
NUT-LOCK (Ref # 11)	46056-005	1
LEVER FRONT BRAKE (Ref # 12)	46058-004	1
HOLDER,FR LEVER,F.BLK (Ref # 13)	46060-011-21	1
BOLT,HEX HEAD,5X22 (Ref # 14)	92007-046	1
NUT-LOCK,5MM (Ref # 15)	92019-014	1
BOOTS,LEVER HOLDER (Ref # 16)	49006-1017	1
GRIP,L.H. (Ref # 17)	46075-1004	1
LEVER ASSY,CLUTCH (Ref # 18)	46076-045	1
BOLT HEX HEAD 6X25 (Ref # 19)	110N0625	1
WASHER,PLAIN,6MM (Ref # 20)	410D0600	1
SCREW CABLE ADJUST (Ref # 21)	46055-003	1
NUT-LOCK (Ref # 22)	46056-005	1
LEVER-CLUTCH (Ref # 23)	46092-015	1
HOLDER,CL LEVER,F.BLK (Ref # 24)	46094-015-21	1
BOLT,HEX HEAD,5X22 (Ref # 25)	92007-046	1
NUT-LOCK,5MM (Ref # 26)	92019-014	1
BOOTS,LEVER HOLDER (Ref # 27)	49006-1017	1
SCREW, PAN HEAD, 5 X 20 (Ref # 28)	220B0520A	2