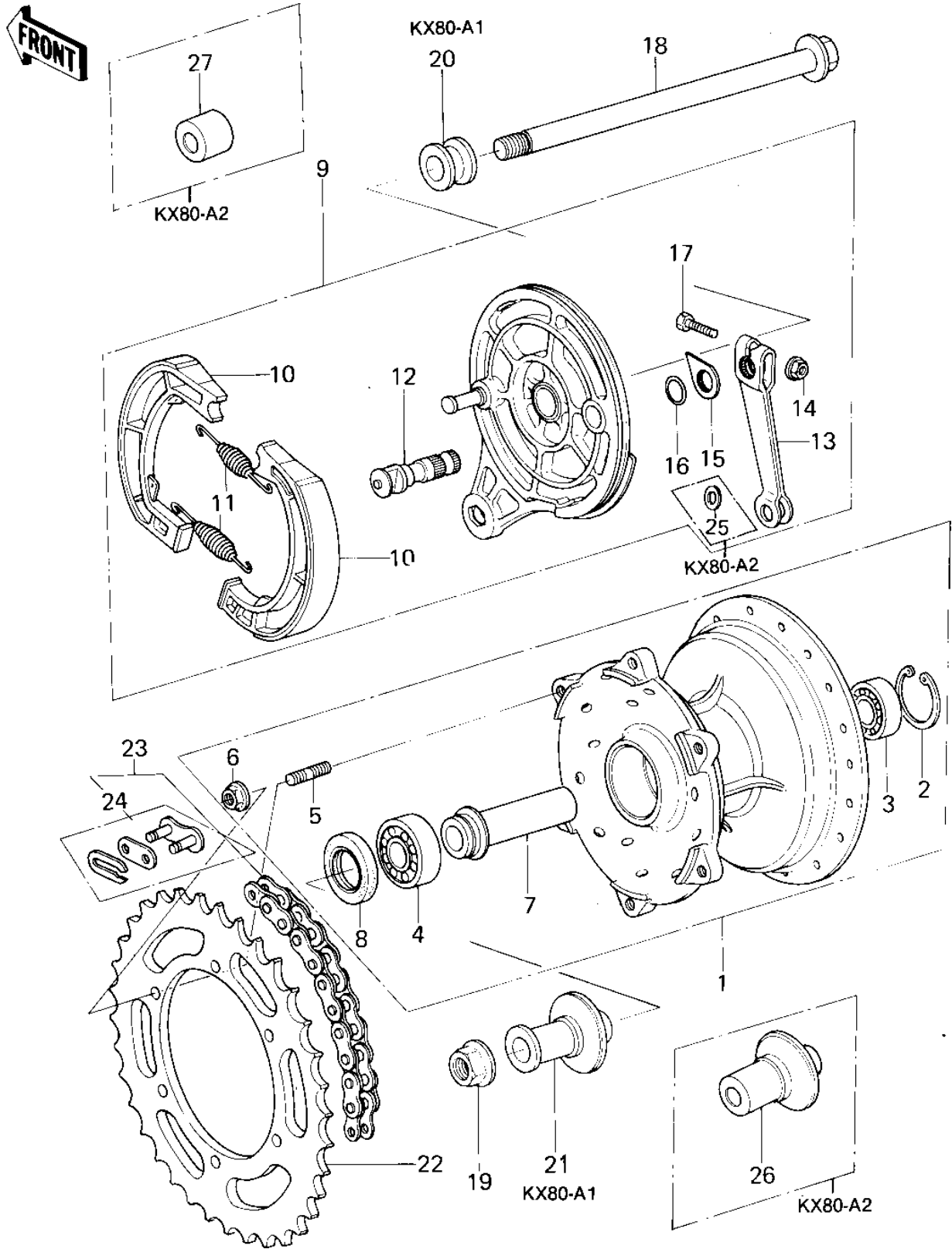


1980 KX80 PARTS DIAGRAM

REAR HUB/BRAKE/CHAIN



1980 KX80 PARTS LIST

REAR HUB/BRAKE/CHAIN

ITEM NAME	PART NUMBER	QUANTITY
DRUM-ASSY,REAR BRAKE (Ref # 1)	41034-5003	9
DRUM-ASSY,REAR BRAKE (Ref # 1)	41034-5003	9
CIRCLIP,32MM (Ref # 2)	481J3200	9
BEARING,BALL (Ref # 3)	601B6201U	9
BEARING BALL #6203 (Ref # 4)	601B6203	9
STUD,8X15 (Ref # 5)	92004-1014	9
STUD,8X17 (Ref # 5)	92004-1015	9
NUT-8MM (Ref # 6)	92015-1022	9
COLLAR,REAR BRAKE DRM (Ref # 7)	92027-1089	9
OIL SEAL,24X40X8 (Ref # 8)	92049-1012	9
PANEL-ASY,RR BRK (Ref # 9)	41035-1032	9
PANEL-ASY,RR BRK (Ref # 9)	41035-1032	9
SHOE,BRAKE (Ref # 10)	41048-1021	9
SPRING,BRAKE SHOE (Ref # 11)	92081-1766	9
CAM,BRAKE,REAR (Ref # 12)	41050-1012	9
LEVER,BRAKE CAM,REAR (Ref # 13)	41053-1010	9
NUT,6MM (Ref # 14)	41072-007	9
INDICATOR,BRAKE SHOE (Ref # 15)	41085-1002	9
"O" RING,12MM (Ref # 16)	670B2012	9
BOLT,HEX HEAD,6X30 (Ref # 17)	92001-1135	9
AXLE,REAR (Ref # 18)	41068-1037	9
AXLE,REAR,12X211 (Ref # 18)	41068-1036	9
NUT-12MM (Ref # 19)	92015-1156	9
COLLAR,REAR AXLE,R.H. (Ref # 20)	92027-1090	9
COLLAR,REAR AXLE,L.H. (Ref # 21)	92027-1091	9
REAR SPROCKET,48T (Ref # 22)	42041-1016	9
REAR SPROCKET,50T (Ref # 22)	42041-1034	9
REAR SPROCKET,52T (Ref # 22)	42041-1035	9
CHAIN ASSY,EK420SHG (Ref # 23)	92057-1093	9

1980 KX80 PARTS LIST

REAR HUB/BRAKE/CHAIN

ITEM NAME	PART NUMBER	QUANTITY
CHAIN ASSY,EK420SHG (Ref # 23)	92057-1097	9
JOINT,CHAIN (Ref # 24)	92058-1016	9
WASHER (Ref # 25)	92022-257	9
COLLAR,REAR BRAKE DRM (Ref # 26)	92027-1246	9
COLLAR,REAR AXLE (Ref # 27)	92027-1247	9