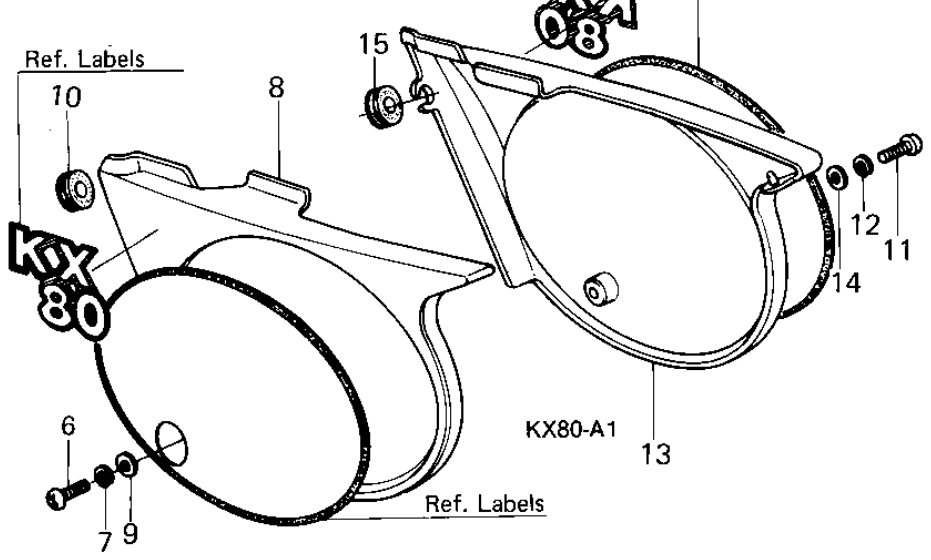
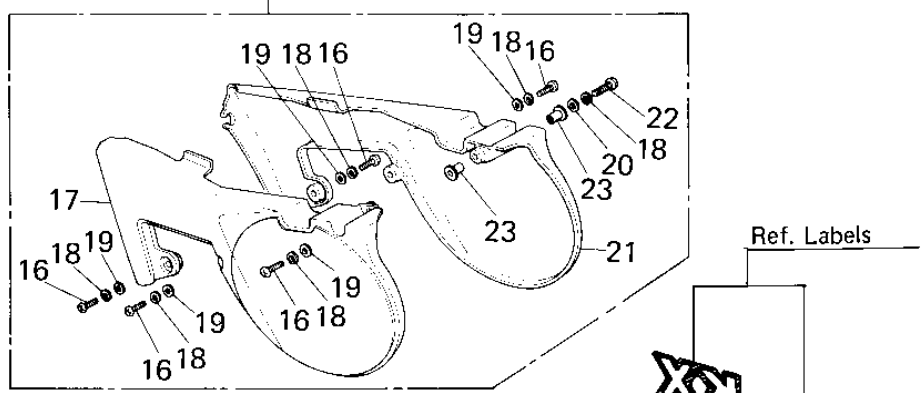
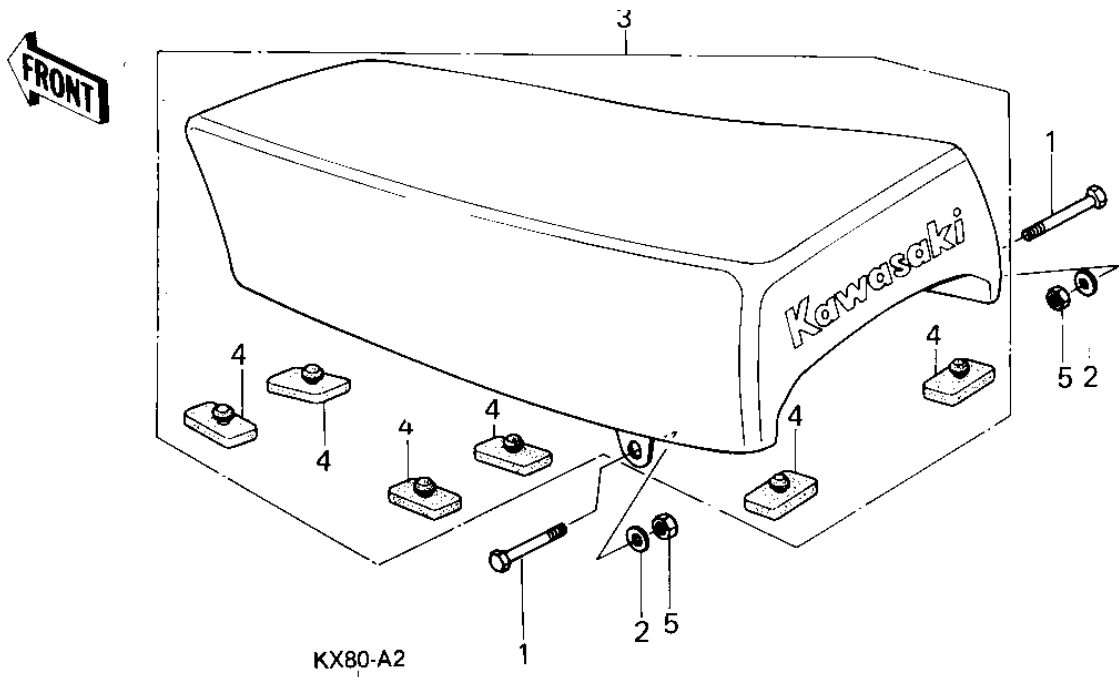


1980 KX80 PARTS DIAGRAM

SEAT/SIDE COVERS



1980 KX80 PARTS LIST

SEAT/SIDE COVERS

ITEM NAME	PART NUMBER	QUANTITY
BOLT-UPSET (Ref # 1)	112G0645	9
BOLT-UPSET,6X40 (Ref # 1)	112G0640	9
WASHER PLAIN 6MM (Ref # 2)	411B0600	9
SEAT-ASSY (Ref # 3)	53001-1020	9
DAMPER RUBBER,SEAT (Ref # 4)	92075-1054	9
NUT (Ref # 5)	92019-008	9
SCREW PAN HEAD 6X25 (Ref # 6)	220B0625	9
WASHER SPRING 6MM (Ref # 7)	461F0600	9
COVER,SIDE,L.H,L.GREN (Ref # 8)	36001-1029-6W	9
WASHER PLAIN (Ref # 9)	92022-024	9
DAMPER,SIDE COVER (Ref # 10)	92075-1067	9
SCREW PAN HEAD 6X25 (Ref # 11)	220B0625	9
WASHER SPRING 6MM (Ref # 12)	461F0600	9
COVER,SIDE,R.H,L.GREN (Ref # 13)	36001-1030-6W	9
WASHER PLAIN (Ref # 14)	92022-024	9
DAMPER,SIDE COVER (Ref # 15)	92075-1067	9
SCREW PAN HEAD 6X20 (Ref # 16)	220B0620	9
COVER,SIDE,LH,D GREEN (Ref # 17)	36001-1089-D4	9
WASHER SPRING 6MM (Ref # 18)	461F0600	9
WASHER PLAIN (Ref # 19)	92022-024	9
WASHER 6.5X20X1.6T (Ref # 20)	92022-125	9
COVER,SIDE,RH,D.GREEN (Ref # 21)	36001-1090-D4	9
BOLT,6X30 (Ref # 22)	92001-1319	9
DAMPER,RUBBER (Ref # 23)	92075-1244	9