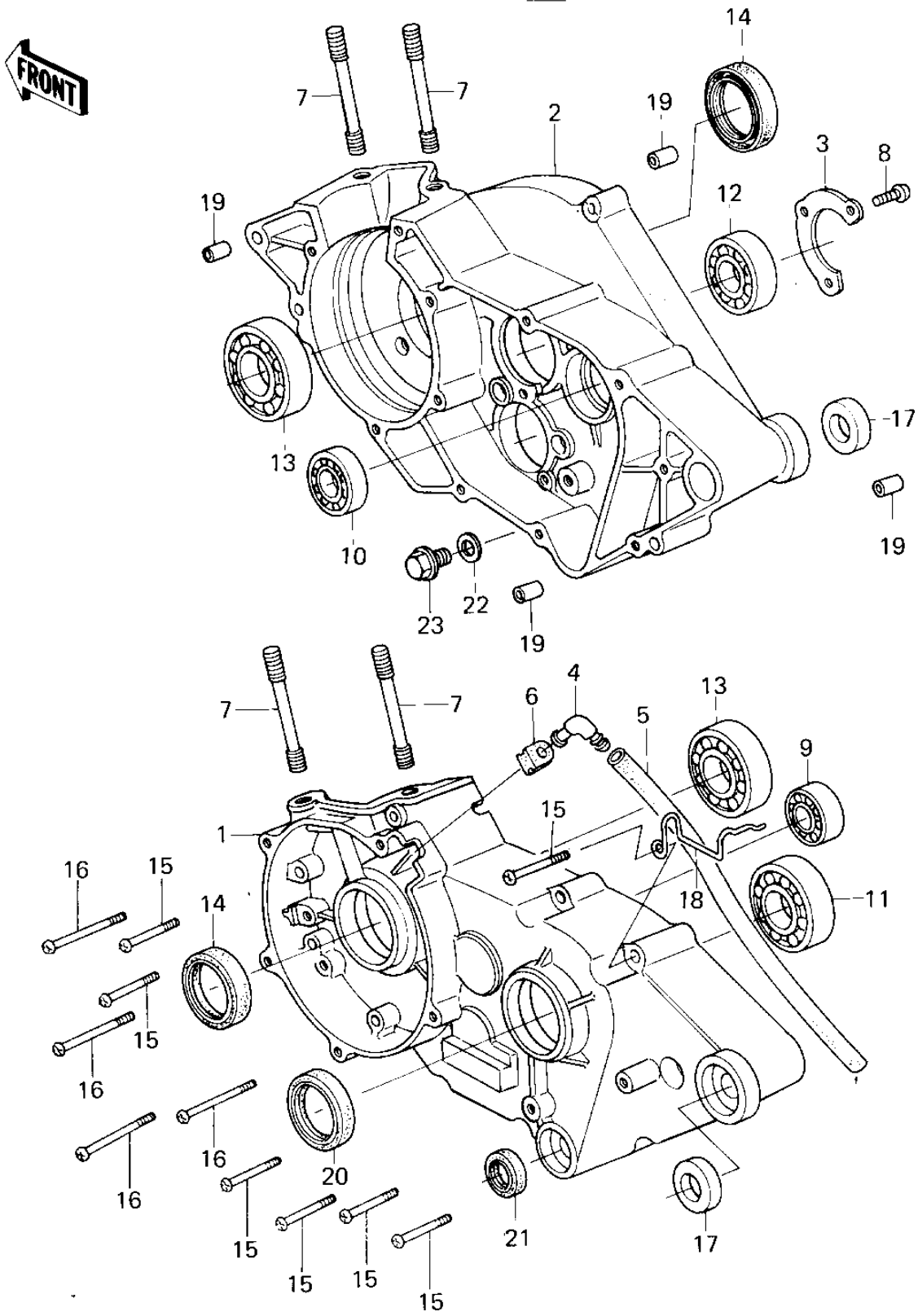


# 1980 KDX80 PARTS DIAGRAM

## CRANKCASE



# 1980 KDX80 PARTS LIST

## CRANKCASE

ITEM NAME	PART NUMBER	QUANTITY
CRANKCASE,L.H (Ref # 1)	14002-1089	1
CRANKCASE,R.H (Ref # 2)	14002-1090	1
PLATE,POSITION,DRIVE (Ref # 3)	14014-1010	1
BREATHER ASSY (Ref # 4)	14069-1001	1
TUBE,6X9X750 (Ref # 5)	92059-1372	1
GROMMET (Ref # 6)	92071-042	1
STUD-8X110 (Ref # 7)	172G08110	4
SCREW PAN HEAD 6X14 (Ref # 8)	220B0614	3
BEARING-BALL (Ref # 9)	92045-1235	1
BEARING BALL #6002 (Ref # 10)	601B6002	1
BEARING BALL #6004 (Ref # 11)	601B6004	1
BEARING BALL #6203 (Ref # 12)	601B6203	1
BEARING BALL #6205 (Ref # 13)	601B6205	2
SEAL-OIL (Ref # 14)	92049-1250	2
SCREW PAN HEAD 6X35 (Ref # 15)	220B0635	8
SCREW PAN HEAD 6X45 (Ref # 16)	220B0645	4
COLLAR,12.6X26X7 (Ref # 17)	92027-1147	2
CLAMP,TUBE (Ref # 18)	92037-1128	1
PIN-DOWEL (Ref # 19)	92042-007	4
OIL SEAL SC25376 (Ref # 20)	92050-013	1
OIL SEAL,TB13225.5 (Ref # 21)	92051-005	1
GASKET CHECK VALVE (Ref # 22)	92065-058	1
PLUG (Ref # 23)	92066-1241	1