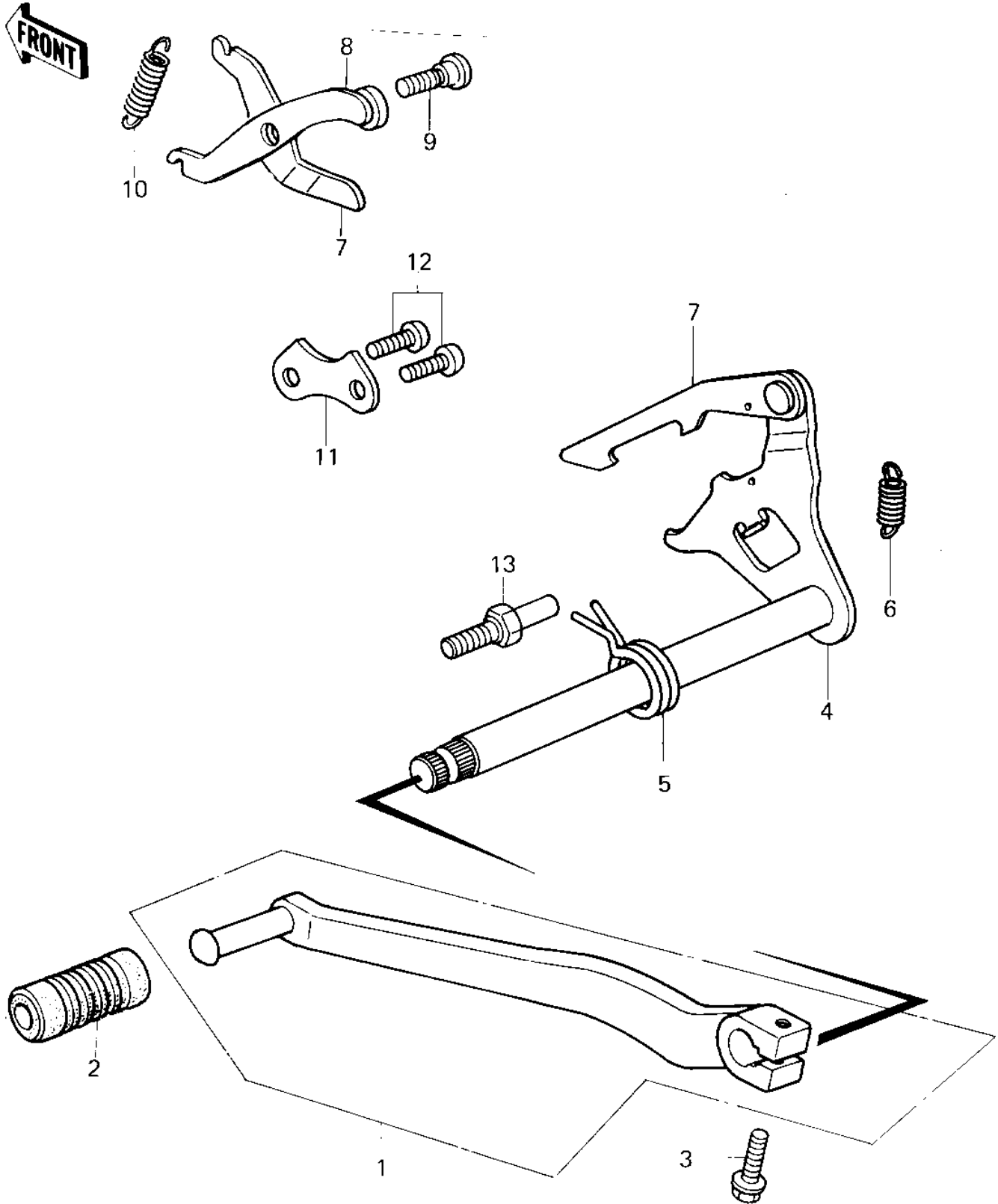


1981 KDX80 PARTS DIAGRAM

GEAR CHANGE MECHANISM



1981 KDX80 PARTS LIST

GEAR CHANGE MECHANISM

ITEM NAME	PART NUMBER	QUANTITY
PEDAL ASSY,GEAR CHANG (Ref # 1)	13156-1018	
DAMPER,CHANGE PEDAL (Ref # 2)	92160-1108	
BOLT,FLANGED,6X22 (Ref # 3)	92001-1352	
LEVER ASSY,GEAR CHANG (Ref # 4)	13161-1010	
SPRING,TENTION (Ref # 5)	92081-1129	
SPRING,GEAR CHANGE (Ref # 6)	92081-156	
LEVER,GEAR SET (Ref # 7)	13168-1038	
LEVER,NEUTRAL (Ref # 8)	13236-1009	
SCREW-PAN HEAD (Ref # 9)	92011-023	
SPRING,CHANGE LEVER (Ref # 10)	92081-1109	
PLATE,CHANGE DRUM (Ref # 11)	13169-1132	
SCREW PAN HEAD 6X14 (Ref # 12)	220B0614	
BOLT,RETURN SPRING (Ref # 13)	92001-1401	