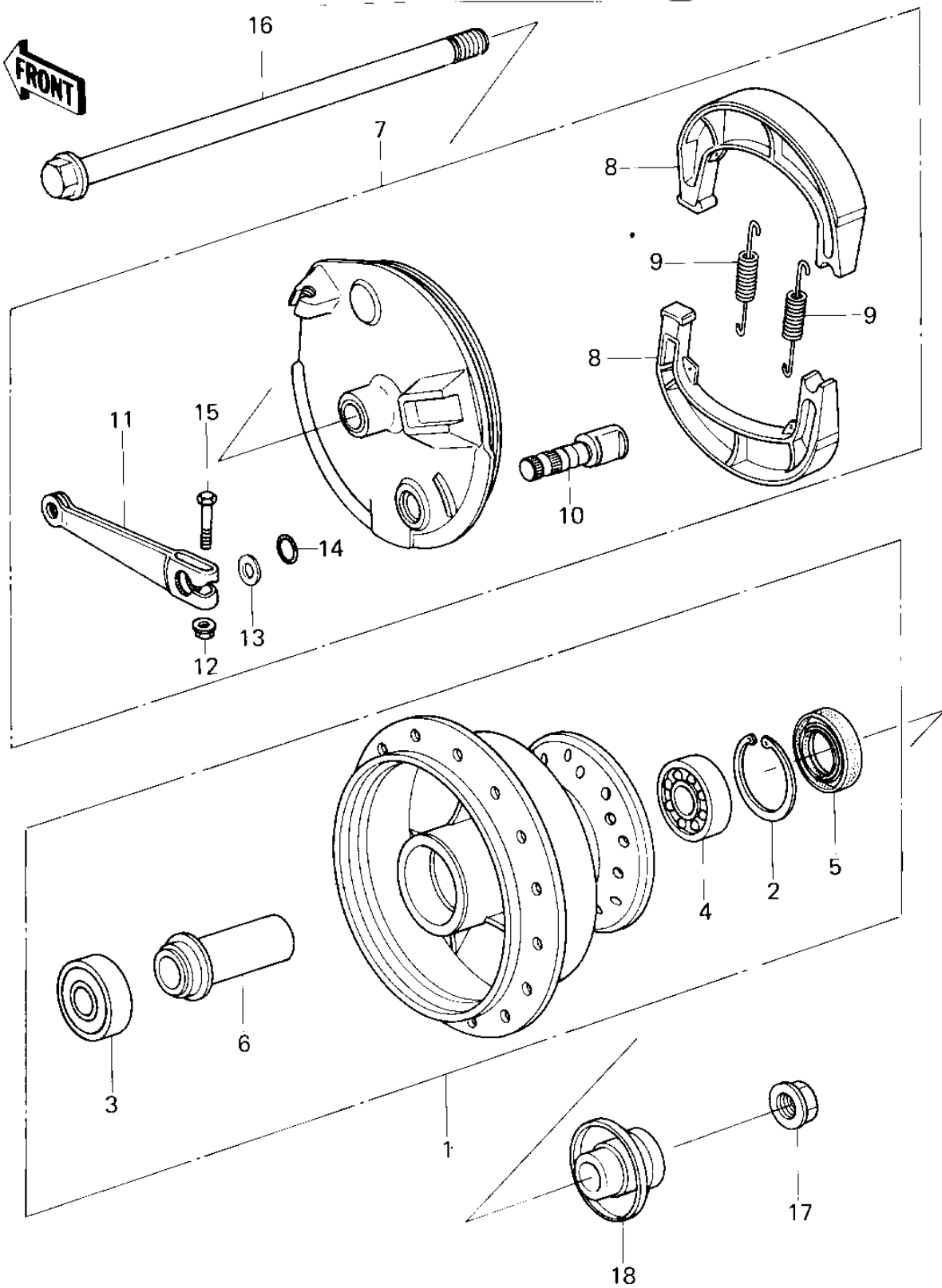


# 1981 KDX80 PARTS DIAGRAM

## FRONT HUB/BRAKE



# 1981 KDX80 PARTS LIST

## FRONT HUB/BRAKE

ITEM NAME	PART NUMBER	QUANTITY
DRUM-ASSY,FR BRK (Ref # 1)	41034-1022	
CIRCLIP,35MM (Ref # 2)	481J3500	
BEARING,BALL,#6200U (Ref # 3)	601B6200U	
BEARING,BALL,#6300 (Ref # 4)	601B6300	
OIL SEAL,20X35X7 (Ref # 5)	654A203507	
COLLAR,FRONT BRAKE (Ref # 6)	92027-1093	
PANEL-ASY,FR BRK (Ref # 7)	41035-1033	
SHOE,BRAKE (Ref # 8)	41048-1021	
SPRING,BRAKE SHOE (Ref # 9)	92081-1766	
CAM,BRAKE,FRONT (Ref # 10)	41050-1009	
LEVER,BRAKE CAM,FRONT (Ref # 11)	41053-1011	
NUT,6MM (Ref # 12)	41072-007	
WASHER (Ref # 13)	92022-257	
"O" RING,12MM (Ref # 14)	670B2012	
BOLT,HEX HEAD,6X30 (Ref # 15)	92001-1135	
AXLE,FRONT (Ref # 16)	41068-1011	
NUT,10MM (Ref # 17)	92015-1415	
COLLAR,FRONT AXLE (Ref # 18)	92027-1094	