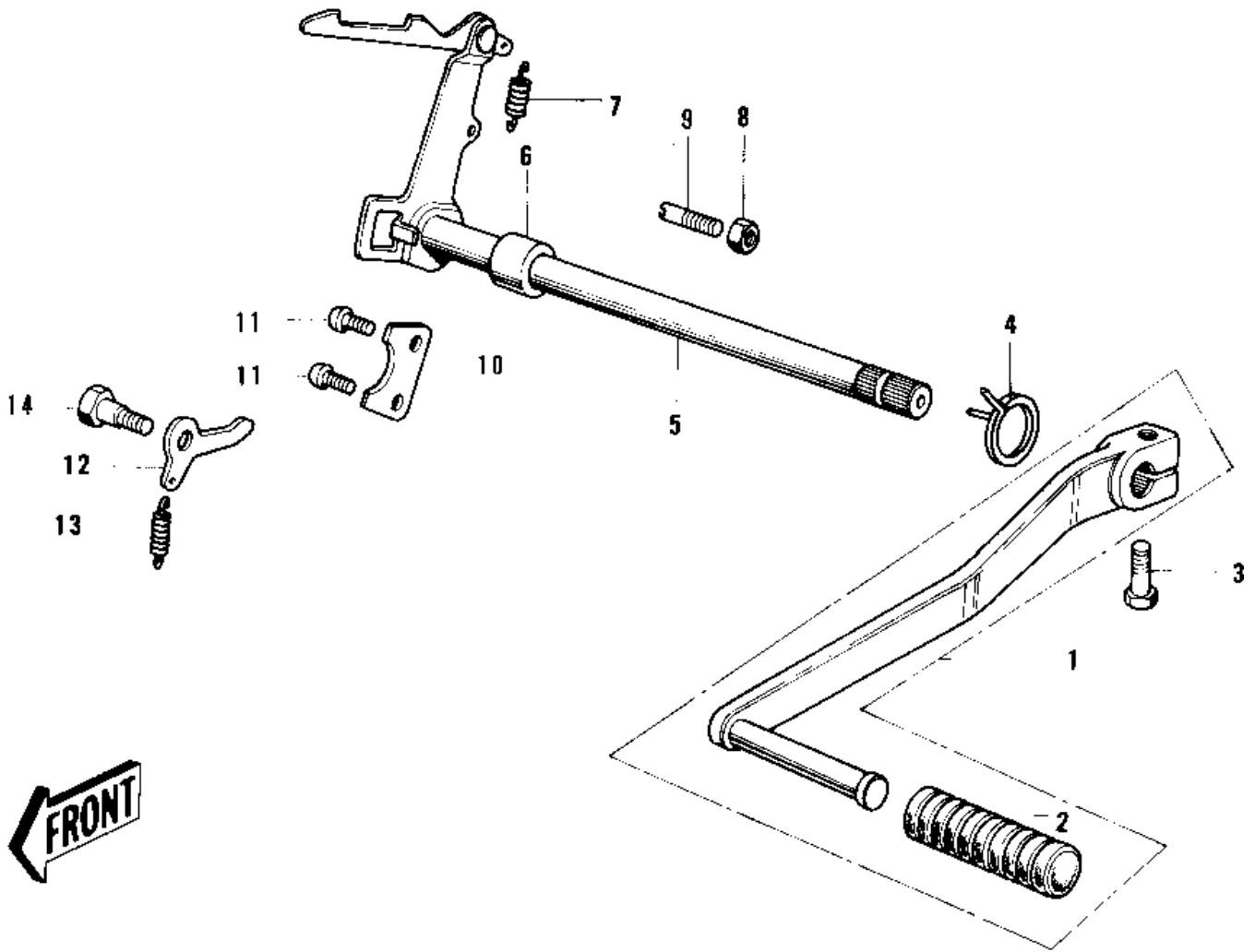


# 1974 MC1M PARTS DIAGRAM

GEAR CHANGE MECHANISM ('73-'75 MC1/MC1-A)



# 1974 MC1M PARTS LIST

GEAR CHANGE MECHANISM ('73-'75 MC1/MC1-A)

| ITEM NAME                        | PART NUMBER | QUANTITY |
|----------------------------------|-------------|----------|
| PEDAL SET GEAR CHANGE (Ref # 1)  | 13242-004   |          |
| RUBBER CHANGE PEDAL (Ref # 2)    | 13157-004   |          |
| BOLT-UPSET,6X20 (Ref # 3)        | 112G0620    |          |
| BOLT-UPSET,6X20 (Ref # 3)        | 112G0620    |          |
| SPRING,TENTION (Ref # 4)         | 92081-1129  |          |
| LEVER ASSY,GEAR CHNG (Ref # 5)   | 13161-1014  |          |
| COLLAR (Ref # 6)                 | 92027-121   |          |
| SPRING,CHANGE LEVER (Ref # 7)    | 92144-1720  |          |
| NUT 8MM (Ref # 8)                | 312B0800    |          |
| BOLT,RETURN SPRING (Ref # 9)     | 92001-1401  |          |
| PLATE CHNG DRUM PSTN (Ref # 10)  | 13169-002   |          |
| SCREW PAN HEAD 6X14 (Ref # 11)   | 220B0614    |          |
| LEVER GEAR CHNG DRUM (Ref # 12)  | 13168-005   |          |
| LEVER GEAR CHNG DRUM (Ref # 12)  | 13168-005   |          |
| SPRING,CHNG DRUM LEV (Ref # 13)  | 92083-012   |          |
| BOLT,CHANGE DRUM LEVE (Ref # 14) | 92150-1450  |          |