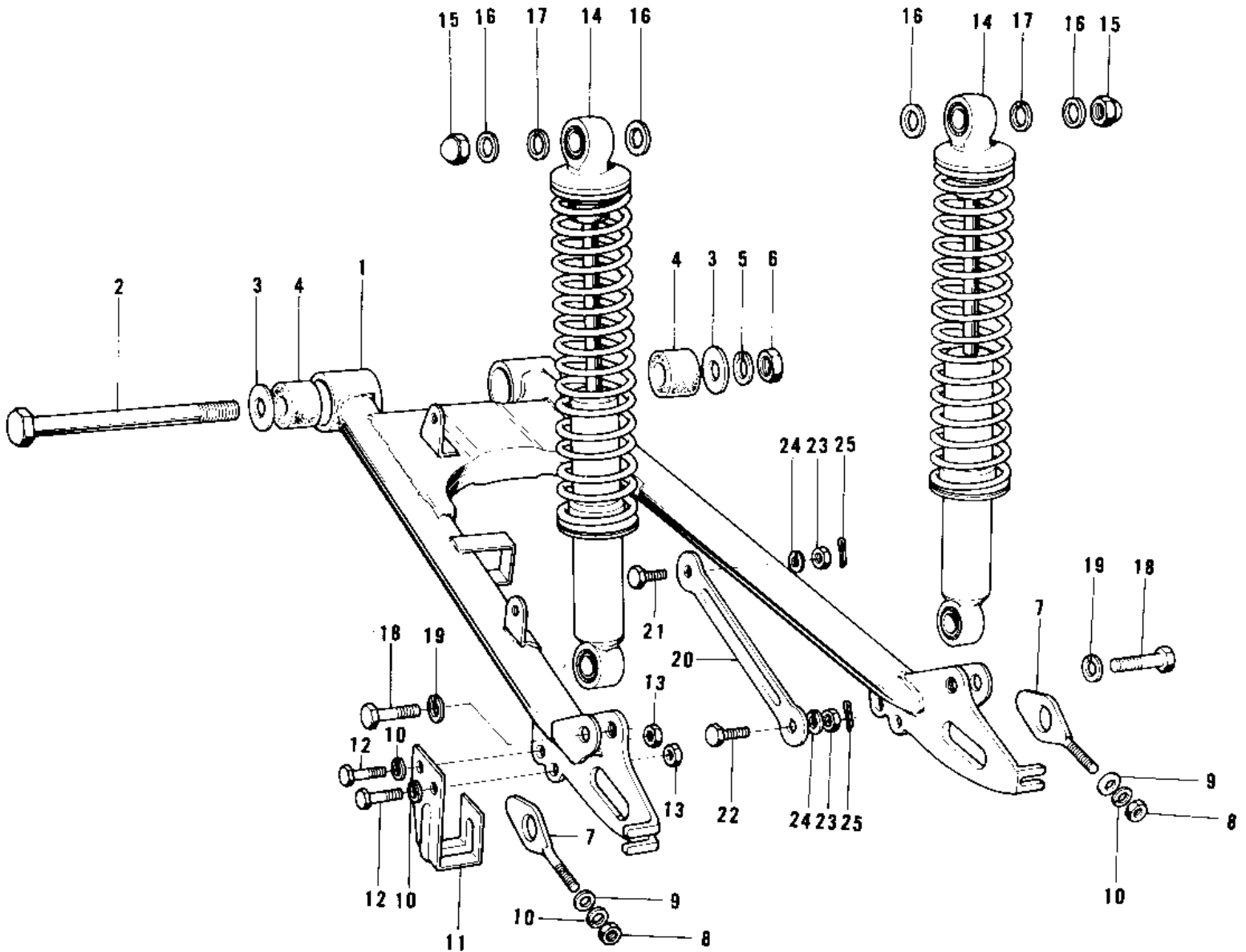


1974 MC1M PARTS DIAGRAM

SWING ARM/SHOCK ABSORBERS ('73-75 MC1/M)



1974 MC1M PARTS LIST

SWING ARM/SHOCK ABSORBERS ('73-75 MC1/M)

| ITEM NAME | PART NUMBER | QUANTITY |
|---------------------------------|-------------|----------|
| ARM,SWINGING (Ref # 1) | 33001-055 | |
| SHAFT,SWING ARM PIVOT (Ref # 2) | 33032-043 | |
| WASHER PLAIN 12MM (Ref # 3) | 410B1200 | |
| BUSH SWING ARM SHAFT (Ref # 4) | 92092-005 | |
| WASHER SPRING 12MM (Ref # 5) | 461F1200 | |
| NUT-HEX-FINE (Ref # 6) | 314B1200 | |
| ADJUSTER CHAIN (Ref # 7) | 33040-008 | |
| NUT 6MM (Ref # 8) | 311B0600 | |
| WASHER PLAIN 6MM (Ref # 9) | 410B0600 | |
| WASHER SPRING 6MM (Ref # 10) | 461F0600 | |
| GUARD,CHAIN (Ref # 11) | 55020-012 | |
| BOLT-UPSET 6X14 (Ref # 12) | 112B0614 | |
| BOLT-UPSET 6X14 (Ref # 12) | 112B0614 | |
| NUT 6MM (Ref # 13) | 311B0600 | |
| SHOCK ABSBR RR (Ref # 14) | 45014-100 | |
| SHOCK ABSBR RR (Ref # 14) | 45014-100 | |
| NUT 12MM (Ref # 15) | 92020-014 | |
| WASHER PLAIN 12MM (Ref # 16) | 410B1200 | |
| WASHER SPRING 12MM (Ref # 17) | 461F1200 | |
| BOLT HEX HEAD 10X28 (Ref # 18) | 113N1028 | |
| WASHER SPRING 10MM (Ref # 19) | 461F1000 | |
| TORQUE LINK,RR BRAKE (Ref # 20) | 43007-037 | |
| BOLT TORQUE LINK FIT (Ref # 21) | 92003-017 | |
| BOLT HEX HEAD 10X25 (Ref # 22) | 92003-003 | |
| NUT,10MM (Ref # 23) | 314B1000 | |
| WASHER SPRING 10MM (Ref # 24) | 461F1000 | |
| PIN COTTER 2.0X15 (Ref # 25) | 550D2015 | |