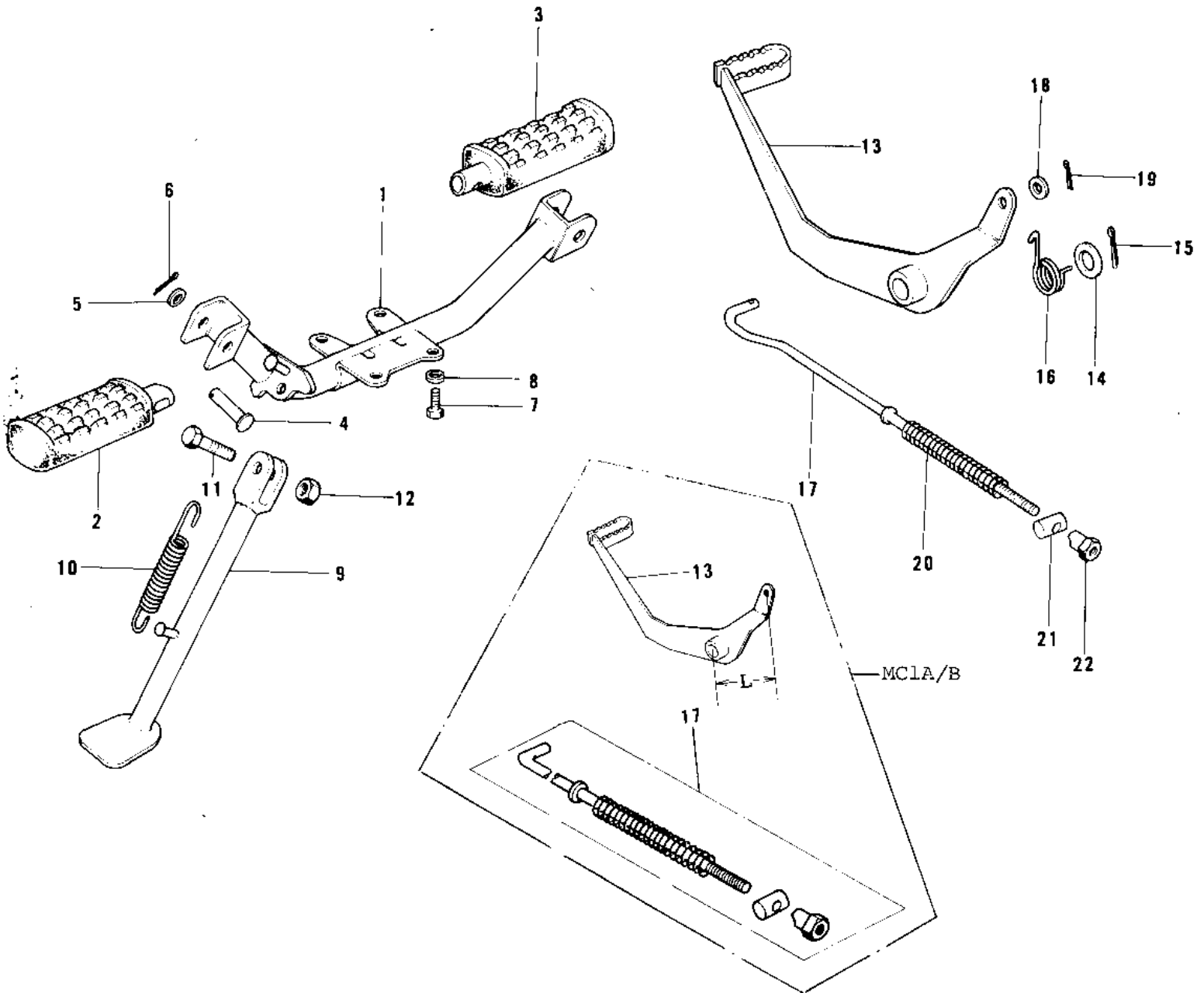


# 1975 MC1-B PARTS DIAGRAM

FOOTRESTS/STAND/BRAKE PEDAL



# 1975 MC1-B PARTS LIST

## FOOTRESTS/STAND/BRAKE PEDAL

ITEM NAME	PART NUMBER	QUANTITY
BAR,FOOTREST (Ref # 1)	34002-047	
STEP-ASSY,FR,LH (Ref # 2)	34027-1114	
STEP-ASSY,FR,LH (Ref # 2)	34027-1114	
STEP-ASSY,FR,RH (Ref # 3)	34027-1115	
STEP-ASSY,FR,RH (Ref # 3)	34027-1115	
PIN-FOOTREST BAR FIT (Ref # 4)	92043-080	
WASHER PL 22.5X36X2.3 (Ref # 5)	92022-204	
PIN COTTER 2.0X15 (Ref # 6)	550D2015	
BOLT-SMALL-UPSET,8X16 (Ref # 7)	115G0816	
BOLT HEX HEAD 8X16 (Ref # 8)	116B0816	
STAND-SIDE (Ref # 9)	34024-1013	
STAND-SIDE (Ref # 9)	34024-1013	
SPRING MAIN STAND (Ref # 10)	34023-005	
BOLT,HEX HEAD,10X25 (Ref # 11)	113G1025	
NUT,10MM (Ref # 12)	314B1000	
PEDAL,BRAKE (Ref # 13)	43001-053	
PEDAL,BRAKE (Ref # 13)	43001-062	
WASHER BRAKE PEDAL (Ref # 14)	92022-085	
PIN COTTER 3.0X30 (Ref # 15)	550D3030	
SPRING-BRAKE PEDAL (Ref # 16)	43005-020	
ROD,BRAKE (Ref # 17)	43011-024	
ROD ASSY,BRAKE (Ref # 17)	43010-019	
WASHER PLAIN 6MM (Ref # 18)	410B0600	
PIN COTTER 2.0X15 (Ref # 19)	550D2015	
SPRING,BRAKE ROD (Ref # 20)	43012-001	
PIN BRAKE (Ref # 21)	92043-039	
NUT-BRAKE ROD ADJUST (Ref # 22)	92015-042	