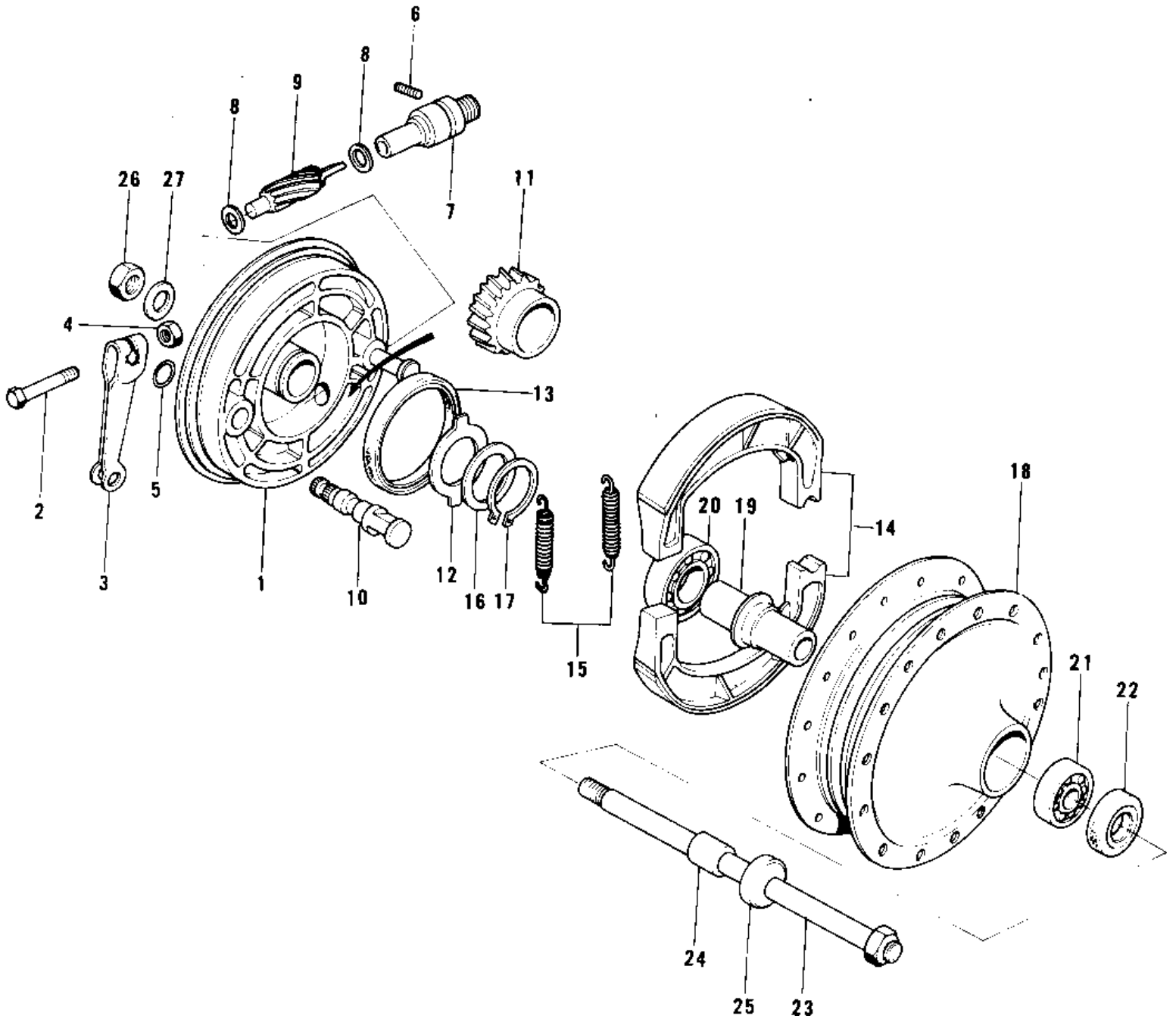


1974 MC1-A PARTS DIAGRAM

FRONT HUB/BRAKE (MC1)



1974 MC1-A PARTS LIST

FRONT HUB/BRAKE (MC1)

ITEM NAME	PART NUMBER	QUANTITY
PANEL, ASSY, FRONT BRAKE (Ref # 1~17)	41035-051-80	
BOLT-UPSET (Ref # 2)	112G0630	
BOLT-UPSET (Ref # 2)	112G0630	
LEVER FRONT BRAKE CAM (Ref # 3)	41053-005	
NUT,6MM (Ref # 4)	41072-007	
"O" RING,11MM (Ref # 5)	92055-004	
PIN,SPRING (Ref # 6)	41082-001	
BUSH,SPEEDMETER CABLE (Ref # 7)	41062-005	
WASHER THRST SPD PINI (Ref # 8)	41063-001	
PINION-SPEEDOMETER (Ref # 9)	41060-014	
CAM SHAFT-FRONT BRAKE (Ref # 10)	41050-018	
GEAR SPEEDOMETER (Ref # 11)	41059-002	
RECIEVER SPEED GEAR (Ref # 12)	41064-002	
OIL SEAL BRAKE PANEL (Ref # 13)	92050-002	
SHOE-BRAKE (Ref # 14)	41048-1085	
SPRING,BRAKE SHOE (Ref # 15)	92081-1766	
WASHER SPEED GR THRST (Ref # 16)	41065-002	
CIRCLIP 15MM (Ref # 17)	480J1500	
DRUM-ASSY,FR BRK (Ref # 18~22)	41034-1040	
SPACER FRONT HUB (Ref # 19)	41039-002	
BEARING BALL #6300Z (Ref # 20)	601B6300Z	
BEARING BALL #6200 (Ref # 21)	601B6200	
OIL SEAL FRONT DRUM (Ref # 22)	92050-003	
AXLE-FRONT (Ref # 23)	41068-039	
COLLAR FRONT HUB R.H (Ref # 24)	41069-002	
DUST SHIELD FRNT DRUM (Ref # 25)	41042-002	
NUT 10MM (Ref # 26)	42045-005	
WASHER PLAIN, 10M/M (Ref # 27)	411B1000	