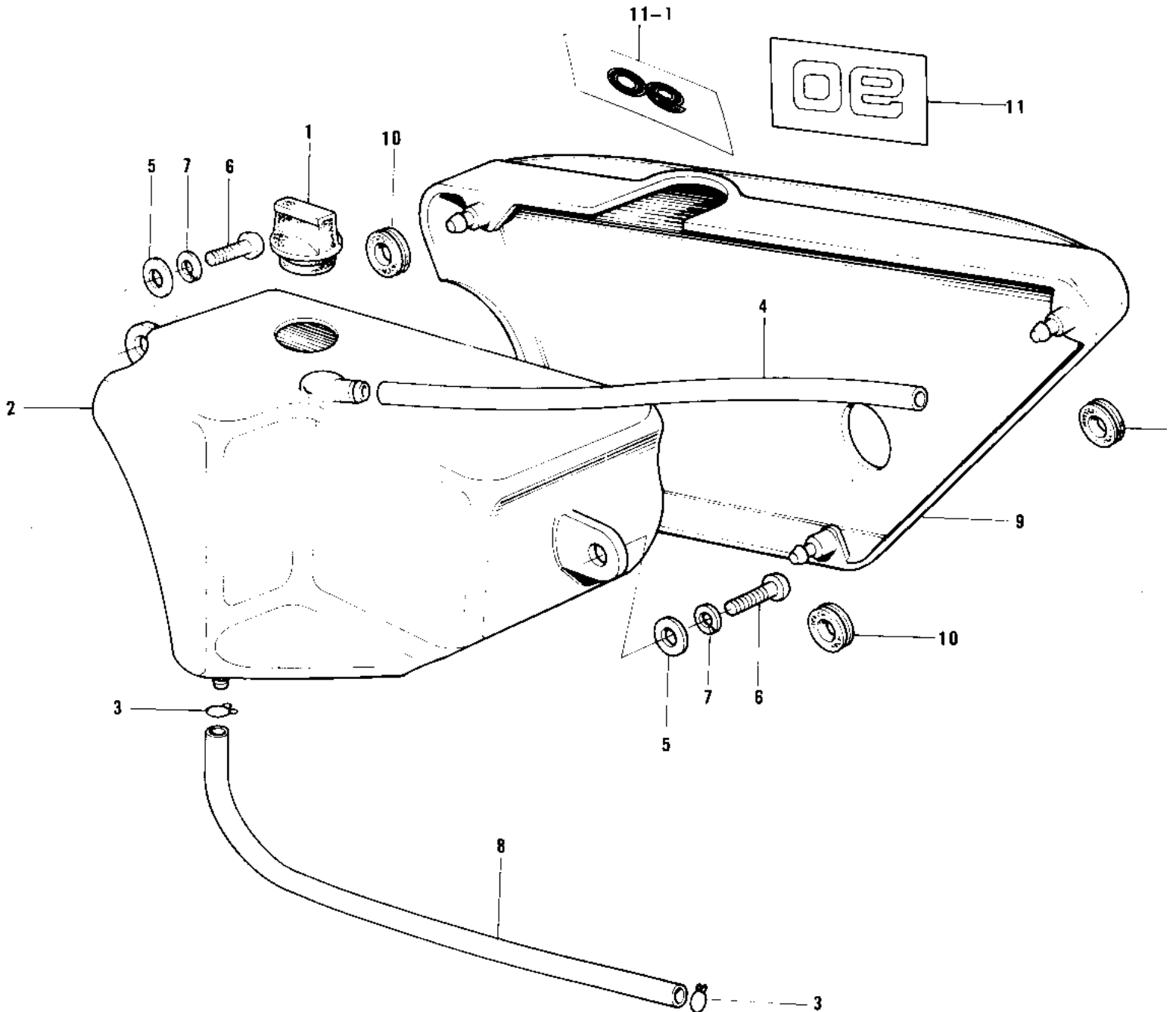


1973 Midi-Bike PARTS DIAGRAM

SIDE COVER/OIL TANK ('73-'75 MC1/MC1-A/M)



1973 Midi-Bike PARTS LIST

SIDE COVER/OIL TANK ('73-'75 MC1/MC1-A/M)

ITEM NAME	PART NUMBER	QUANTITY
CAP,OIL (Ref # 1)	52003-022	1
CAP,OIL TANK (Ref # 1)	52003-024	1
TANK,OIL (Ref # 2)	52001-037	1
TANK,OIL (Ref # 2)	52001-1005	1
CLAMP FUEL PIPE (Ref # 3)	92037-010	2
TUBE-VINYL 5X470 (Ref # 4)	700Q05470	1
WASHER 6.5X20X1.6T (Ref # 5)	92022-125	3
SCREW PAN HEAD 6X16 (Ref # 6)	220B0616	3
WASHER SPRING 6MM (Ref # 7)	461F0600	3
TUBE,4.5X9X380 (Ref # 8)	92059-1691	1
(Ref # 9)	36007-035	1
COVER, SIDE,BLACK (Ref # 9)	36001-1042-6Z	1
GROMMET (Ref # 10)	92071-056	3
EMBLEM,SIDE COTER (Ref # 11)	56018-157	1
EMBLEM,SIDE COVER (Ref # 11-1)	56018-181	1