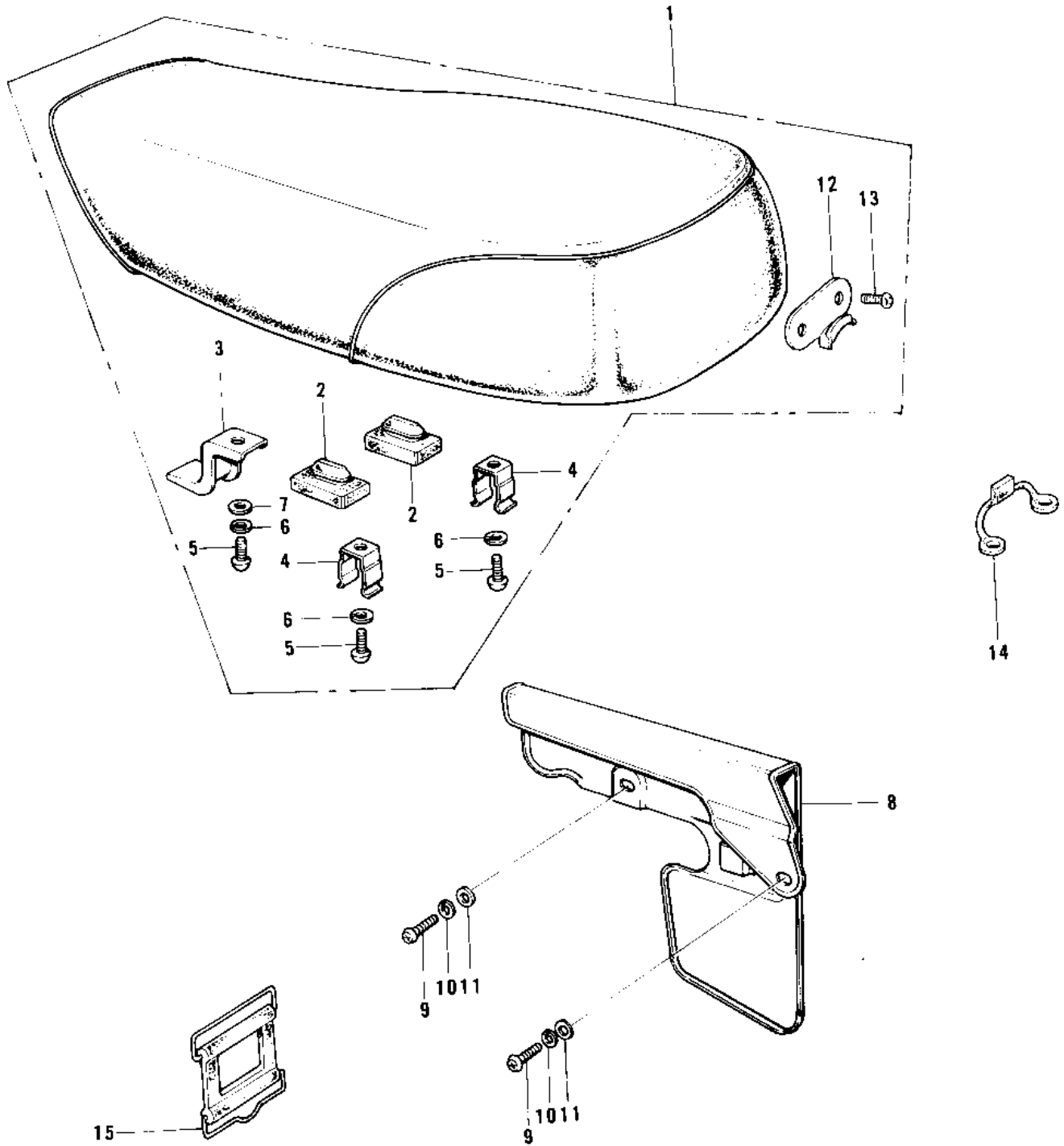


# 1975 MC1M-A PARTS DIAGRAM

SEAT/CHAIN COVER (MC1)



# 1975 MC1M-A PARTS LIST

## SEAT/CHAIN COVER (MC1)

| ITEM NAME                      | PART NUMBER | QUANTITY |
|--------------------------------|-------------|----------|
| SEAT-ASSY (Ref # 1)            | 53001-096   |          |
| BRACKET,SEAT (Ref # 3)         | 53032-004   |          |
| SPRING,SEAT HOOK (Ref # 4)     | 53012-009   |          |
| SCREW PAN HEAD 6X12 (Ref # 5)  | 220B0612    |          |
| WASHER SPRING 6MM (Ref # 6)    | 461F0600    |          |
| WASHER PLAIN 6MM (Ref # 7)     | 410B0600    |          |
| CASE-CHAIN (Ref # 8)           | 36014-1024  |          |
| SCREW PAN HEAD 6X12 (Ref # 9)  | 220B0612    |          |
| WASHER SPRING 6MM (Ref # 10)   | 461F0600    |          |
| WASHER PLAIN 6MM (Ref # 11)    | 411B0600    |          |
| PLATE,SEAT (Ref # 12)          | 53015-004   |          |
| SCREW PAN HEAD 6X14 (Ref # 13) | 220E0614    |          |
| BAND,FUEL TANK (Ref # 14)      | 92072-049   |          |
| BAND,TOOL (Ref # 15)           | 92072-066   |          |