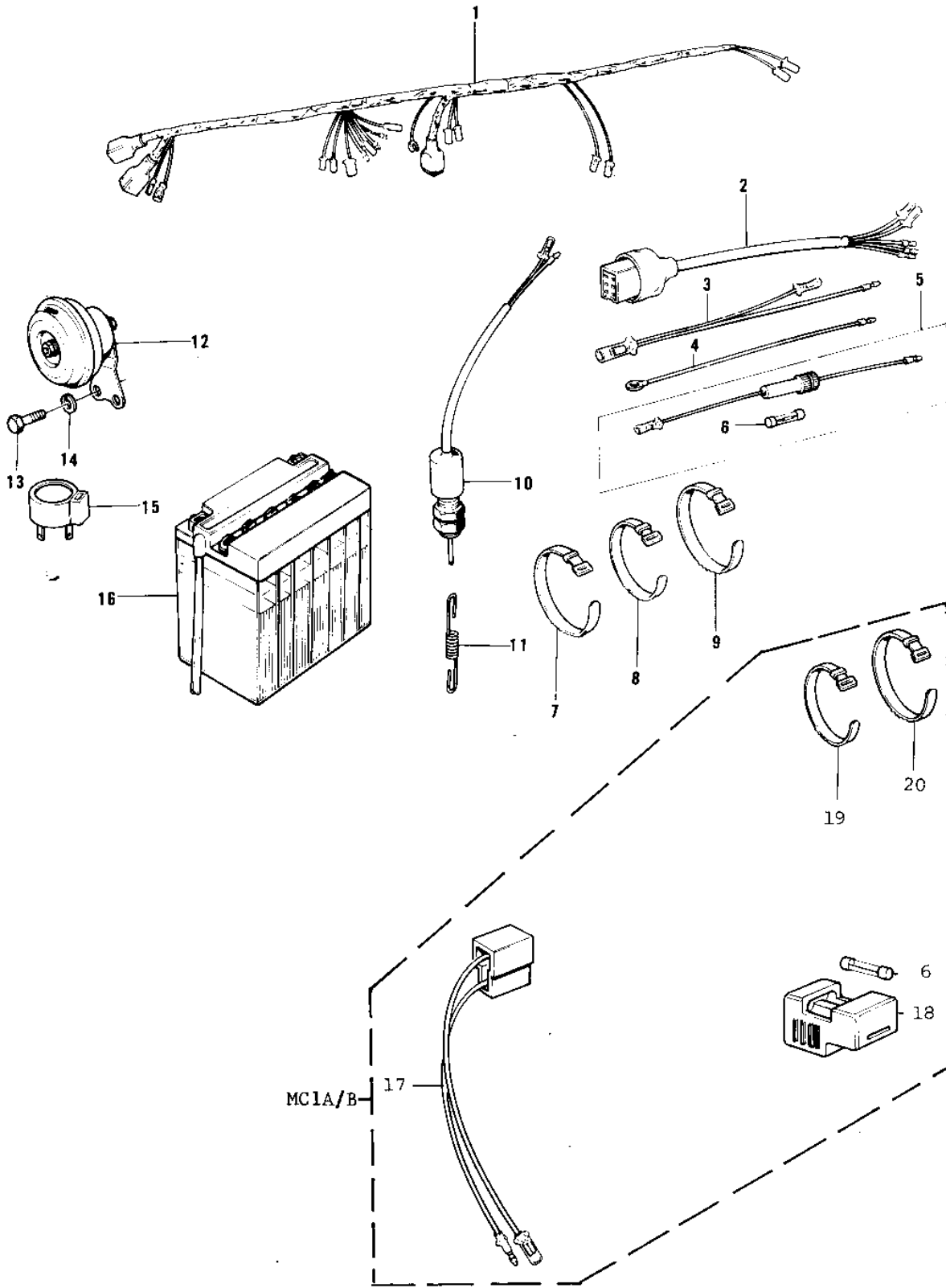


1973 Midi-Bike PARTS DIAGRAM

CHASSIS ELECTRICAL EQUIPMENT



1973 Midi-Bike PARTS LIST

CHASSIS ELECTRICAL EQUIPMENT

ITEM NAME	PART NUMBER	QUANTITY
WIRING HARNESS,MAIN (Ref # 1)	26001-098	1
WIRE,LEAD (Ref # 2)	26011-1042	1
LEAD WIRE (Ref # 3)	26011-042	1
LEAD WIRE,SIGNAL LAMP (Ref # 4)	26011-063	1
FUES ASSY (Ref # 5)	26004-008	1
FUSE ASSY (Ref # 5)	26004-017	1
FUSE 10A (Ref # 6)	26006-003	1
BAND,WIRING HARNESS (Ref # 7)	92072-056	8
BAND,MIDDLE (Ref # 8)	92072-031	4
BAND,LONG (Ref # 9)	92072-032	2
SWITCH-BRAKE LAMP (Ref # 10)	27010-015	1
SPRING-BRAKE LAMP SW (Ref # 11)	27011-011	1
HORN (Ref # 12)	27003-060	1
HORN (Ref # 12)	27003-060	1
BOLT,6X10 (Ref # 13)	112G0610	2
BOLT,6X10 (Ref # 13)	112G0610	AL
WASHER SPRING 6MM (Ref # 14)	461F0600	2
RELAY-TURN SIGNAL (Ref # 15)	27002-013	1
UNAVAILABLE IN PRICE BOOK (Ref # 16)	26012-029	1
YUA BAT 6N4-2A-5 (Ref # 16)	K26012-020	1
WIRE,RECTIFIER LEAD (Ref # 17)	26011-074	1
HOLDER,SPARE FUSE (Ref # 18)	26016-003	1
BAND,SHORT (Ref # 19)	92072-030	7
BAND,WIRING HARNESS (Ref # 20)	92072-056	4