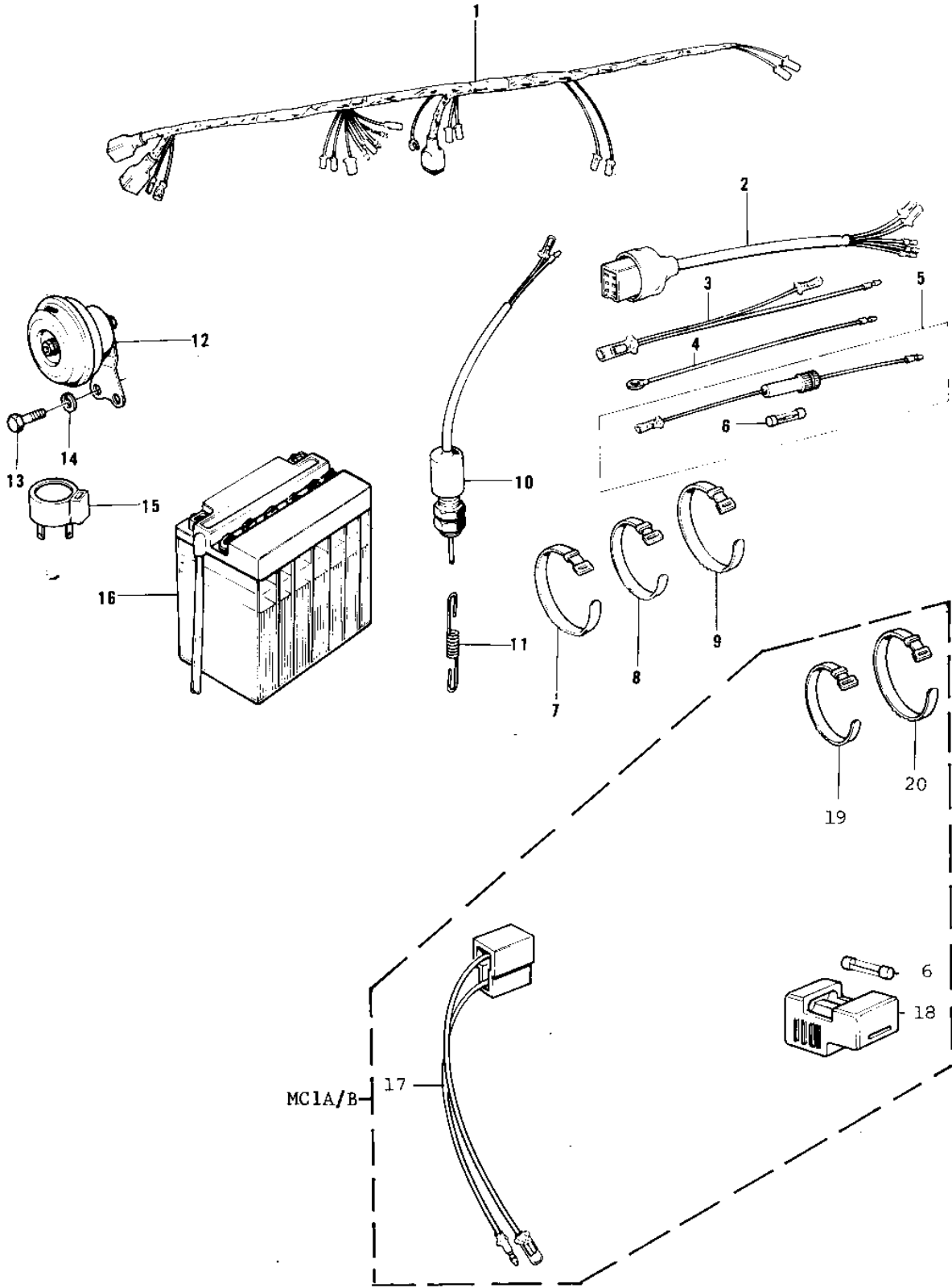


1975 MC1M-A PARTS DIAGRAM

CHASSIS ELECTRICAL EQUIPMENT



1975 MC1M-A PARTS LIST

CHASSIS ELECTRICAL EQUIPMENT

ITEM NAME	PART NUMBER	QUANTITY
-----------	-------------	----------