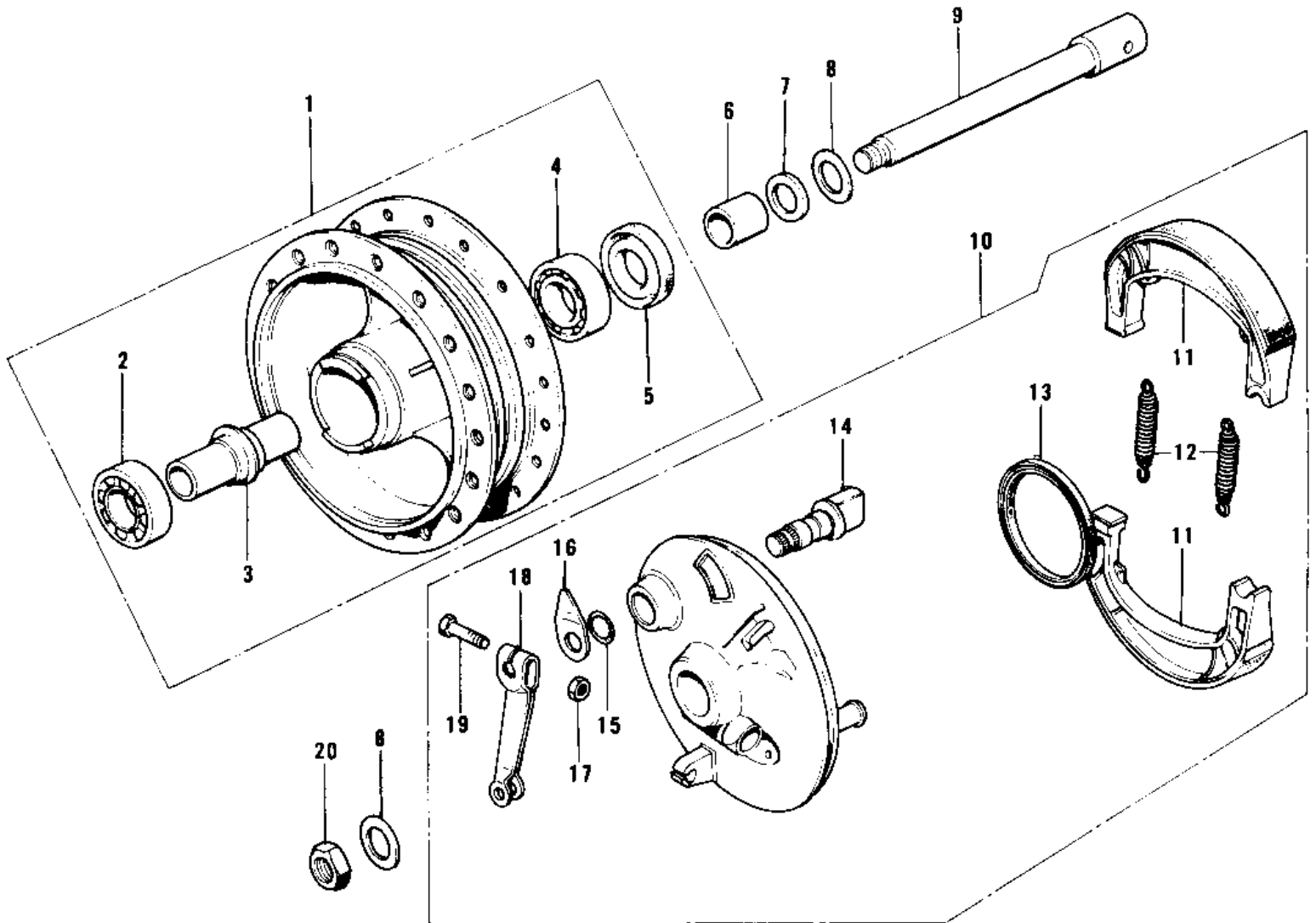


1975 MC1M-A PARTS DIAGRAM

FRONT HUB/BRAKE



1975 MC1M-A PARTS LIST

FRONT HUB/BRAKE

ITEM NAME	PART NUMBER	QUANTITY
DRUM-ASSY,FR BRK (Ref # 1)	41034-1040	
BEARING BALL #6300Z (Ref # 2)	601B6300Z	
SPACER FRONT HUB (Ref # 3)	41039-002	
BEARING BALL #6200 (Ref # 4)	601B6200	
OIL SEAL,TC17317 (Ref # 5)	92050-063	
COLLAR,FRONT AXLE (Ref # 6)	41069-026	
DUST SHIELD FRNT DRUM (Ref # 7)	41042-002	
WASHER PLAIN 10MM (Ref # 8)	411B1000	
AXLE-FRONT (Ref # 9)	41068-039	
PANEL ASY,FR BK,BUFF (Ref # 10)	41035-060-80	
SHOE-BRAKE (Ref # 11)	41048-1085	
SPRING,BRAKE SHOE (Ref # 12)	92081-1766	
OIL SEAL BRAKE PANEL (Ref # 13)	92050-002	
CAM SHAFT-FRONT BRAKE (Ref # 14)	41050-018	
"O" RING,11MM (Ref # 15)	92055-004	
INDICATOR,BK SHOE (Ref # 16)	41085-008	
NUT,6MM (Ref # 17)	41072-007	
LEVER FRONT BRAKE CAM (Ref # 18)	41053-005	
BOLT-UPSET (Ref # 19)	112G0630	
NUT 10MM (Ref # 20)	42045-005	