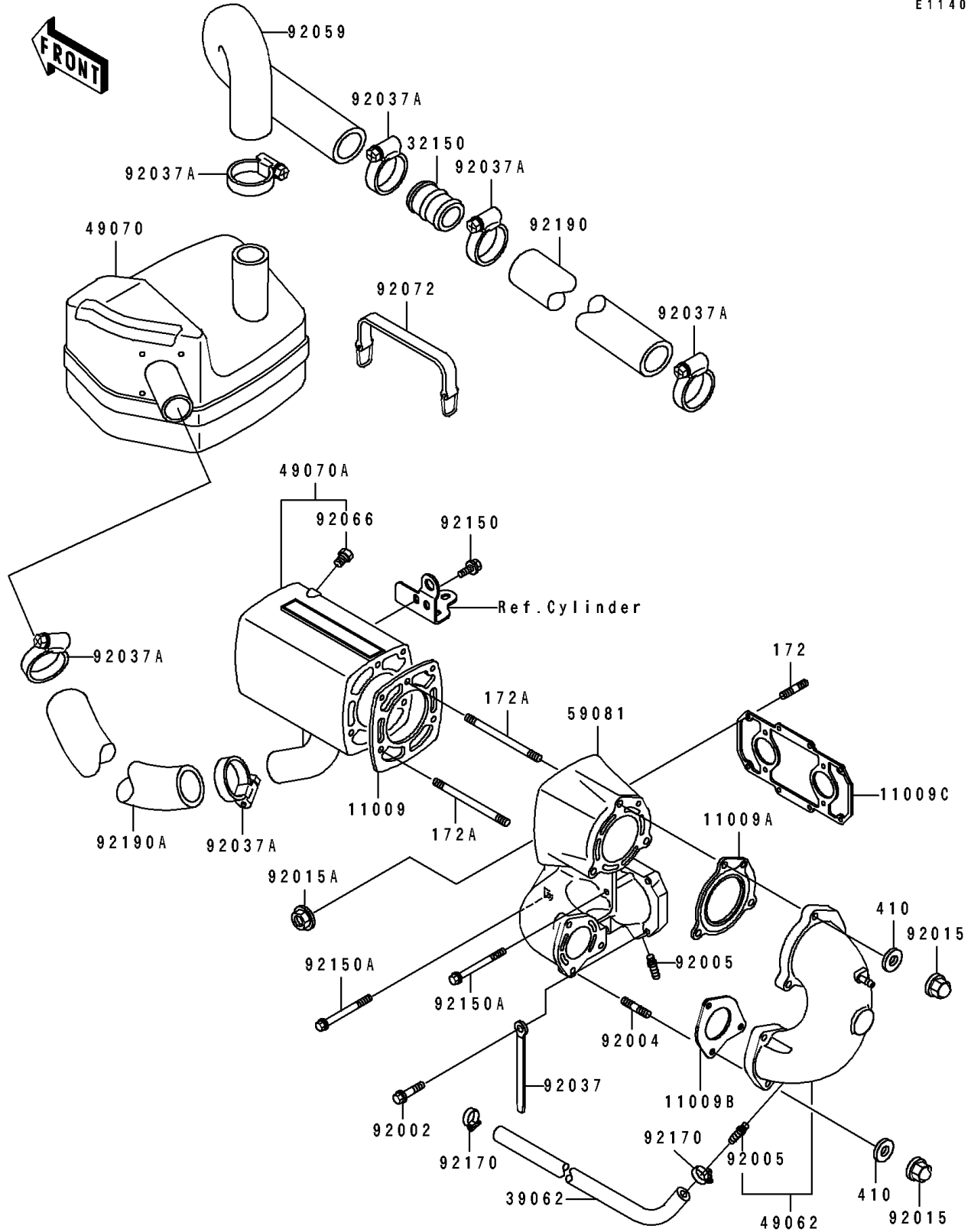


1991 550 SX PARTS DIAGRAM

Muffler(s)

E1140



1991 550 SX PARTS LIST

Muffler(s)

ITEM NAME	PART NUMBER	QUANTITY
-----------	-------------	----------