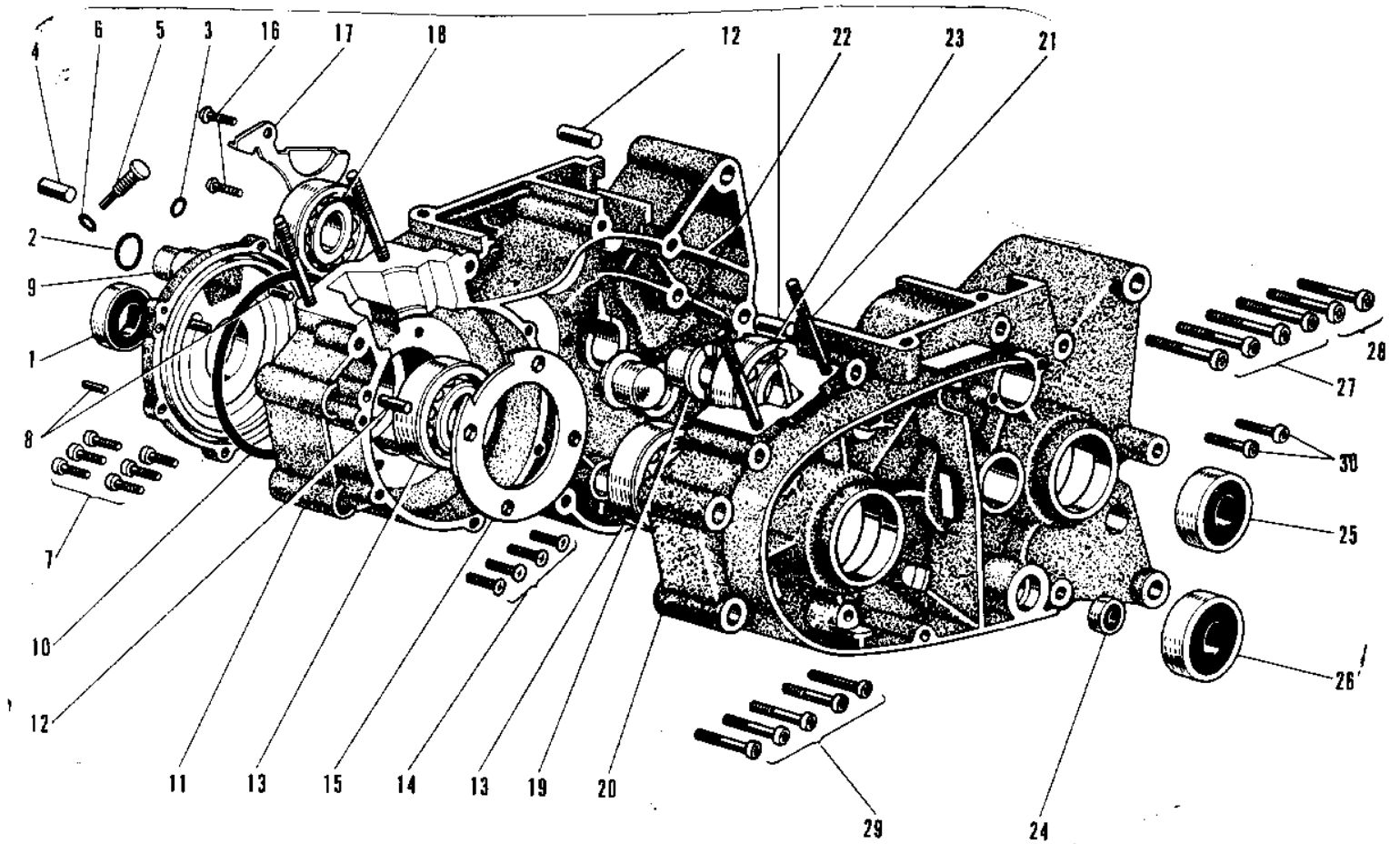
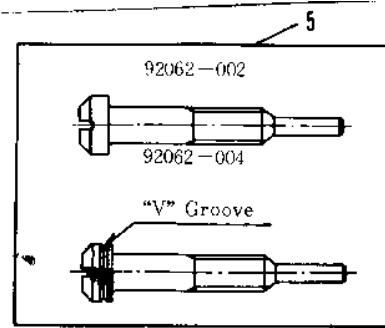


1969 G3SS PARTS DIAGRAM

CRANKCASE ('69-73)



1969 G3SS PARTS LIST

CRANKCASE ('69-'73)

ITEM NAME	PART NUMBER	QUANTITY
-----------	-------------	----------