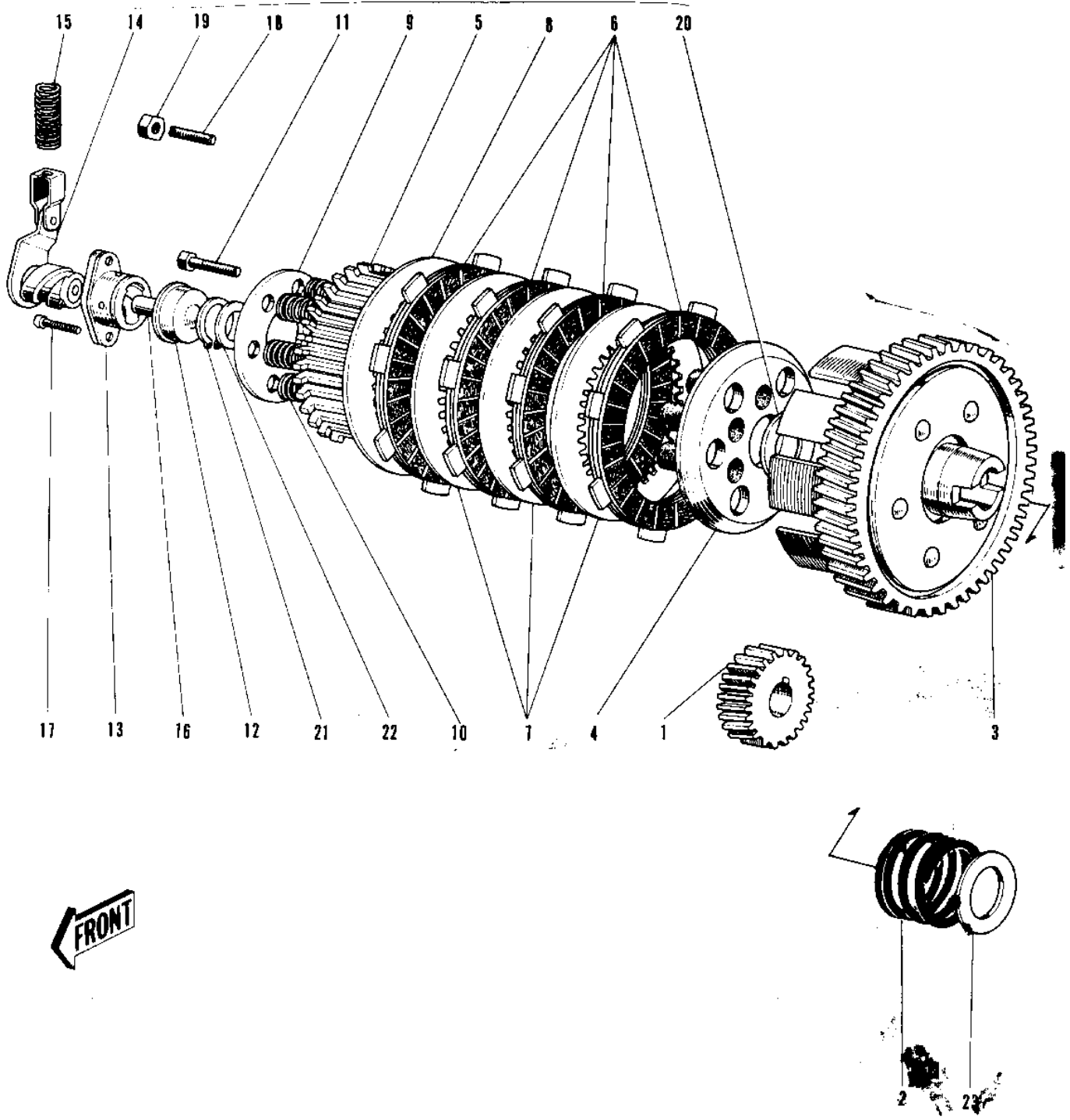


1969 G3SS PARTS DIAGRAM

CLUTCH (69-73)



1969 G3SS PARTS LIST

CLUTCH ('69-73)

ITEM NAME	PART NUMBER	QUANTITY
PINION,PRIMARY (Ref # 1)	13121-032	1
SPRING CLUTCH DAMPER (Ref # 2)	92081-015	1
CLUTCH-ASSY (Ref # 3~11)	13081-028	1
CLUTCH-ASSY (Ref # 3~11)	13081-028	
HOUSING CLUTCH (Ref # 3)	13095-022	1
HOUSING CLUTCH (Ref # 3)	13095-022	
WHEEL,CLUTCH (Ref # 4)	13086-1002	1
HUB,CLUTCH (Ref # 5)	13087-1011	1
PLATE-FRICTION (Ref # 6)	13088-1103	4
PLATE-CLUTCH,STEEL (Ref # 7)	13089-1009	3
PLATE CLUTCH OUTER (Ref # 8)	13090-004	1
HOLDER,CLUTCH SPRING (Ref # 9)	13091-1115	1
SPRING CLUTCH (Ref # 10)	92081-012	6
BOLT HEX HEAD 5X12 (Ref # 11)	110B0512	6
BOLT SMALL (Ref # 11)	114G0812	6
BOLT-UPSET (Ref # 11)	112G0516	
PUSHER CLUTCH SPRING (Ref # 12)	13113-003	1
OUTER CLUTCH RELEASE (Ref # 13)	13118-001	1
INNER CLUTCH RELEASE (Ref # 14)	13102-004	1
SPRING-CLUTCH RELEASE (Ref # 15)	92081-096	1
PIN DOWEL 7X10 (Ref # 16)	610A0710	1
SCREW PAN HEAD 6X16 (Ref # 17)	220B0616	2
SCREW SLOTTED 6X28 (Ref # 18)	291Z0628	1
NUT 6MM (Ref # 19)	311B0600	1
WASHER THRUST CLUTCH (Ref # 20)	92022-054	1
CIRCLIP 16MM (Ref # 21)	480J1600	1
WASHER THRUST (Ref # 22)	92022-053	1
WASHER PLAIN (Ref # 23)	92022-057	1