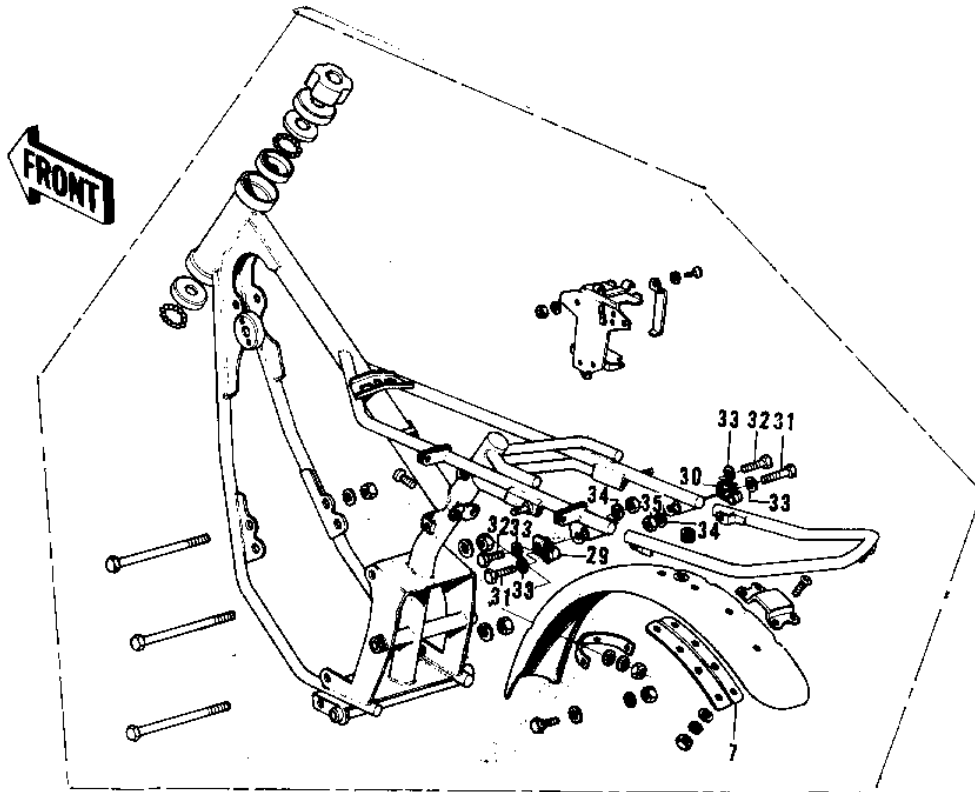
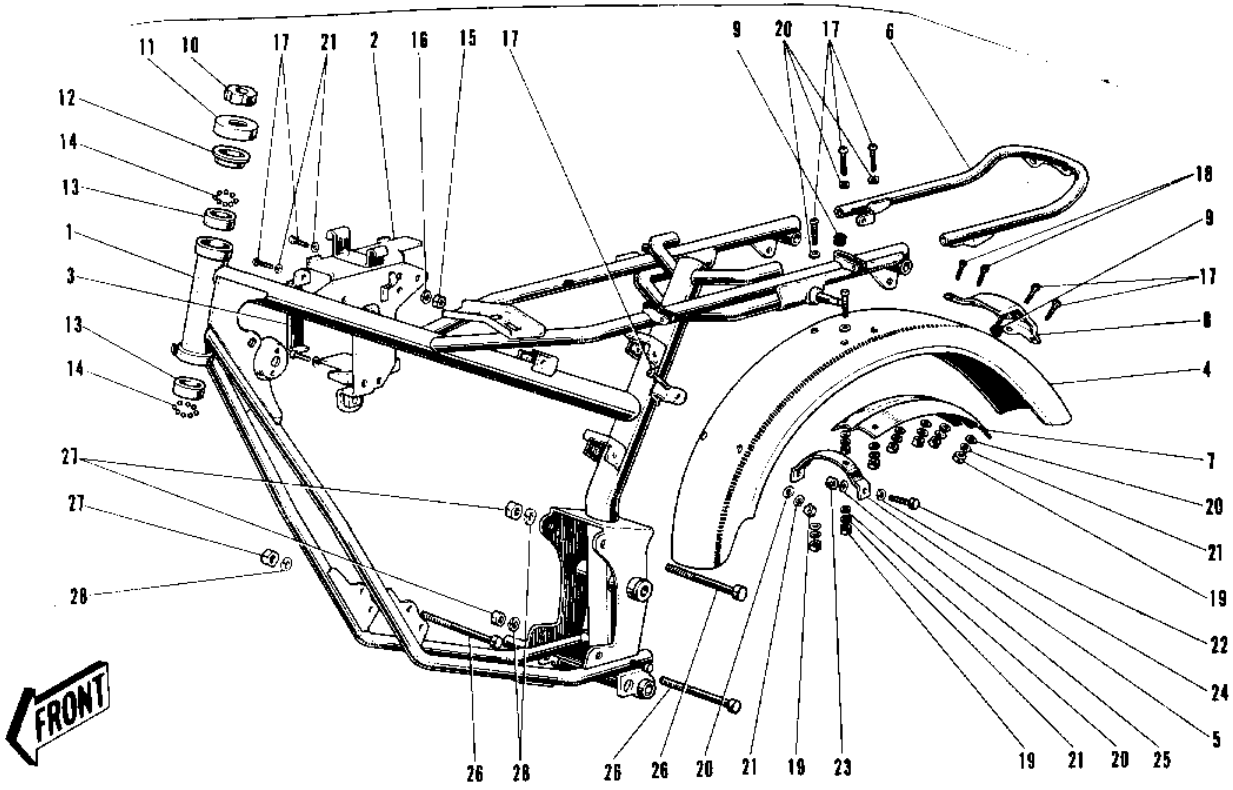


1969 Bushmaster PARTS DIAGRAM

FRAME/FRAME FITTINGS ('69-'73)

Re

7



1969 Bushmaster PARTS LIST

FRAME/FRAME FITTINGS ('69-'73)

| ITEM NAME | PART NUMBER | QUANTITY |
|----------------------------------|-------------|----------|
| FRAME (Ref # 1) | 32002-017 | 1 |
| BRACKET BATTERY (Ref # 2) | 32093-004 | 1 |
| BAND BATTERY (Ref # 3) | 32100-002 | 1 |
| FENDER-RR (Ref # 4) | 35022-037 | 1 |
| BRACKET REAR FENDER (Ref # 5) | 35025-002 | 1 |
| STAY REAR FENDER (Ref # 6) | 35032-015 | 1 |
| GUSSET-REAR FENDER (Ref # 7) | 35034-016 | 1 |
| BRACKET TAIL LAMP (Ref # 8) | 35031-001 | 1 |
| GROMMET HARNESS 10MM (Ref # 9) | 92071-019 | 2 |
| NUT STEERING STEM LCK (Ref # 10) | 92090-006 | 1 |
| CAP STEERING STEM (Ref # 11) | 46098-004 | 1 |
| CONE UPPER BEARING (Ref # 12) | 92047-005 | 1 |
| RACE BEARING (Ref # 13) | 92048-004 | 2 |
| BALL STEEL 3/16' (Ref # 14) | 600A0600 | 46 |
| NUT,5MM (Ref # 15) | 311B0500 | 1 |
| NUT,5MM (Ref # 15) | 311B0500 | 1 |
| WASHER SPRING 5MM (Ref # 16) | 461F0500 | 1 |
| SCREW PAN HEAD 6X12 (Ref # 17) | 220B0612 | 8 |
| SCREW PAN HEAD 6X14 (Ref # 18) | 220B0614 | 2 |
| NUT 6MM (Ref # 19) | 311B0600 | 11 |
| WASHER PLAIN 6MM (Ref # 20) | 410B0600 | 14 |
| WASHER SPRING 6MM (Ref # 21) | 461F0600 | 10 |
| BOLT HEX HEAD 8X40 (Ref # 22) | 116B0840 | 2 |
| NUT,8MM (Ref # 23) | 311B0800 | 2 |
| WASHER PLAIN 8MM (Ref # 24) | 410B0800 | 2 |
| WASHER SPRING 8MM (Ref # 25) | 461F0800 | 2 |
| BOLT,FLANGED,10X115 (Ref # 26) | 92001-1603 | 4 |
| NUT,10MM (Ref # 27) | 314B1000 | 4 |
| WASHER SPRING 10MM (Ref # 28) | 461F1000 | 4 |