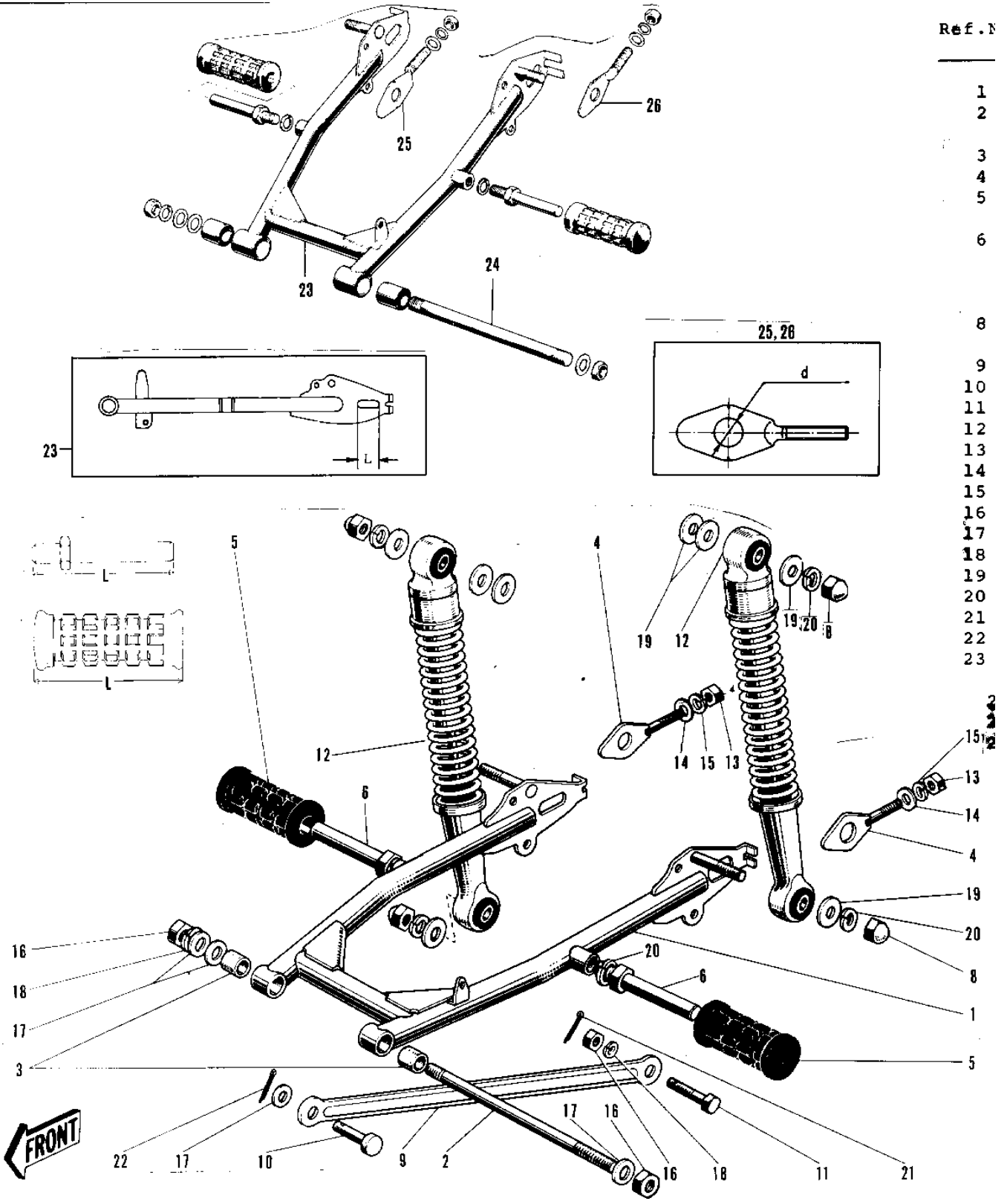


1969 G3SS PARTS DIAGRAM

SWING ARM/SHOCK ABSORBERS ('69-'73)



Ref. N
1
2
3
4
5
6
8
9
10
11
12
13
14
15
16
17
18
19
20
21
22
23

2

1969 G3SS PARTS LIST

SWING ARM/SHOCK ABSORBERS ('69-'73)

ITEM NAME	PART NUMBER	QUANTITY
ARM SWING (Ref # 1)	33001-023	1
SHAFT SWING ARM PIVOT (Ref # 2)	33032-008	
BUSH SWING ARM SHAFT (Ref # 3)	92092-006	2
ADJUSTER CHAIN (Ref # 4)	33040-008	2
RUBBER REAR FOOTREST (Ref # 5)	92076-016	
FOOTREST REAR (Ref # 6)	34029-004	
BAR REAR FOOREST (Ref # 6)	34029-003	
NUT SHOCK ABSBR FIT (Ref # 8)	92020-005	4
NUT 12MM (Ref # 8)	92020-014	4
TORQUE LINK REAR BRK (Ref # 9)	43007-007	1
PIN REAR TORQUE LINK (Ref # 10)	43009-001	1
BOLT HEX HEAD 10X25 (Ref # 11)	92003-003	1
SHOCK ABSBR RR (Ref # 12)	45014-038	2
NUT 6MM (Ref # 13)	311B0600	2
WASHER PLAIN 6MM (Ref # 14)	410B0600	2
WASHER SPRING 6MM (Ref # 15)	461F0600	2
NUT,10MM (Ref # 16)	314B1000	3
WASHER PLAIN 10MM (Ref # 17)	410B1000	4
WASHER SPRING 10MM (Ref # 18)	461F1000	1
WASHER PLAIN 12MM (Ref # 19)	411B1200	8
WASHER SPRING 12MM (Ref # 20)	461F1200	6
PIN COTTER 2.0X15 (Ref # 21)	550D2015	1
PIN COTTER 2.5X20 (Ref # 22)	550D2520	1
SWING ARM (Ref # 23)	33001-022	
SHAFT-SWING ARM PIVOT (Ref # 24)	33032-030	
ADJUSTER CHAIN (Ref # 25)	33040-008	
ADJUSTER-CHAIN,L.H (Ref # 26)	33040-010	