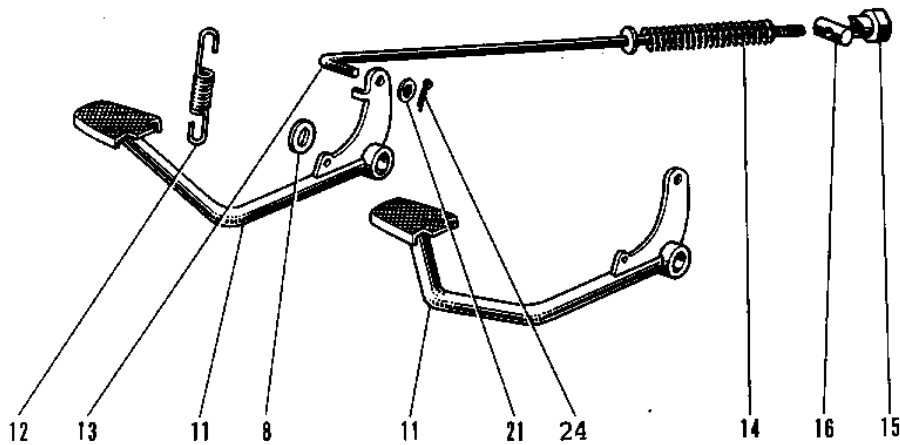
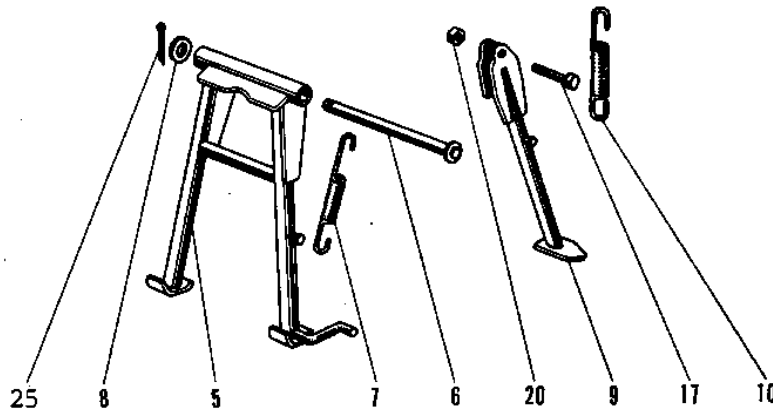
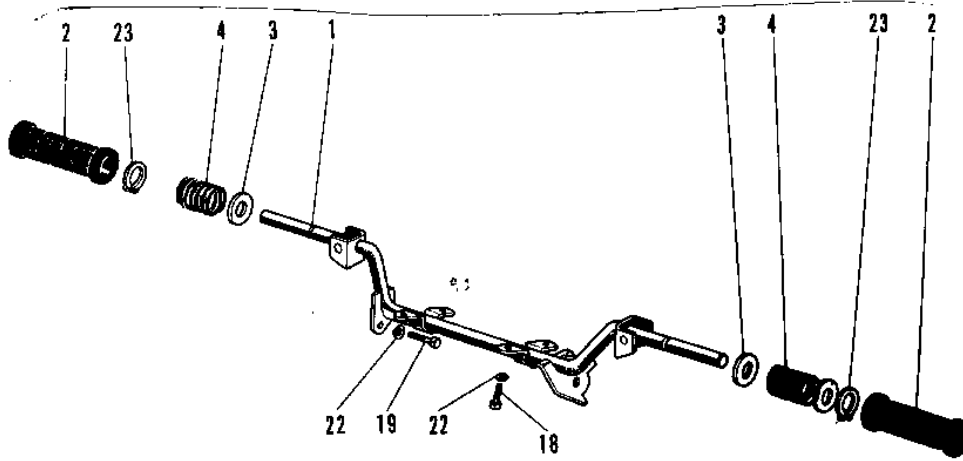


# 1971 G3SS-A PARTS DIAGRAM

FOOTRESTS/STANDS/BRAKE PEDAL ('69-'73)



Ref. N

- 1
- 2
- 3
- 4
- 5
- 6
- 7
- 8
- 9
- 10
- 11
- 12
- 13
- 14
- 15
- 16
- 17
- 18
- 19
- 20
- 21
- 22
- 23
- 24
- 25



# 1971 G3SS-A PARTS LIST

FOOTRESTS/STANDS/BRAKE PEDAL ('69-'73)

ITEM NAME	PART NUMBER	QUANTITY
BAR,FOOTREST (Ref # 1)	34002-048	1
RUBBER FOOTREST (Ref # 2)	92076-006	2
WASHER FOLDING PEG (Ref # 3)	92022-049	2
SPRING FOOTREST PEG (Ref # 4)	34006-002	2
STAND-MAIN (Ref # 5)	34011-1045	1
SHAFT MAIN STAND (Ref # 6)	34019-006	1
SPRING MAIN STAND (Ref # 7)	34023-005	1
WASHER BRAKE PEDAL (Ref # 8)	92022-085	2
STAND-SIDE (Ref # 9)	34024-053	1
SPRING,SIDE STAND (Ref # 10)	34025-001	1
PEDAL BRAKE (Ref # 11)	43001-024	1
SPRING BRAKE PEDAL (Ref # 12)	43005-005	1
BRAKE ROD ASSY (Ref # 13~16)	43010-5003	1
SPRING,BRAKE ROD (Ref # 14)	43012-001	1
NUT-BRAKE ROD ADJUST (Ref # 15)	92015-042	1
PIN BRAKE (Ref # 16)	92043-039	1
BOLT,HEX HEAD,10X25 (Ref # 17)	113G1025	1
BOLT HEX HEAD 8X16 (Ref # 18)	116B0816	4
BOLT,8X20 (Ref # 19)	115G0820	1
NUT 10MM (Ref # 20)	315B1000	1
WASHER PLAIN 6MM (Ref # 21)	410B0600	1
WASHER SPRING 8MM (Ref # 22)	461F0800	4
CIRCLIP 16MM (Ref # 23)	480J1600	2
PIN COTTER 2.0X15 (Ref # 24)	550D2015	1
PIN COTTER 3.0X30 (Ref # 25)	550D3030	1