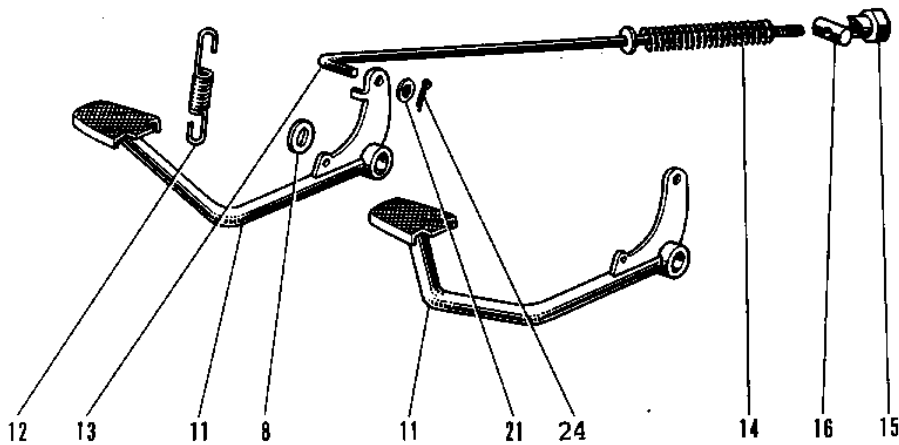
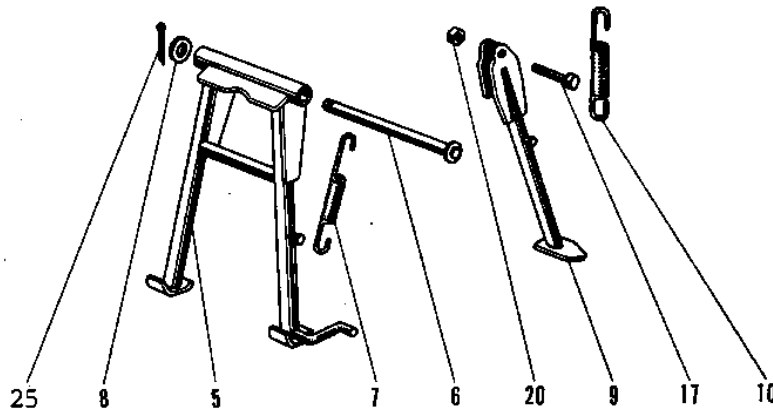
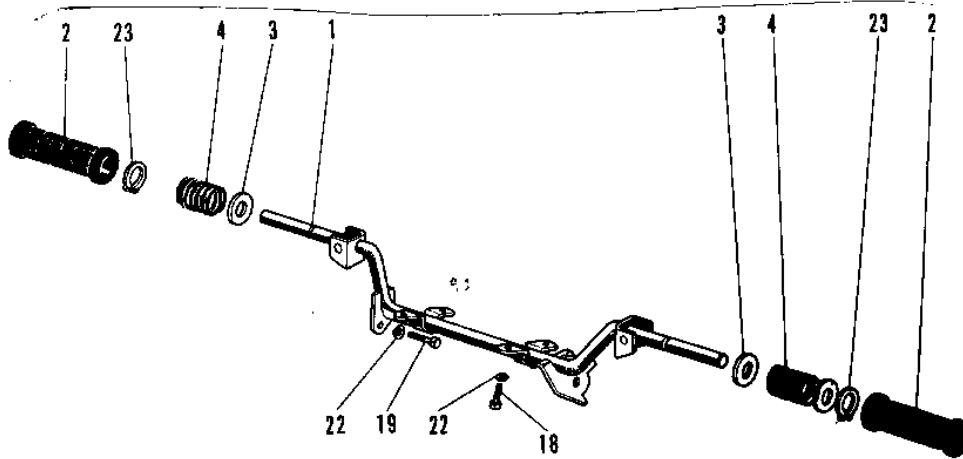


1969 G3SS PARTS DIAGRAM

FOOTRESTS/STANDS/BRAKE PEDAL ('69-'73)



Ref. N

- 1
- 2
- 3
- 4
- 5
- 6
- 7
- 8
- 9
- 10
- 11
- 12
- 13
- 14
- 15
- 16
- 17
- 18
- 19
- 20
- 21
- 22
- 23
- 24
- 25



1969 G3SS PARTS LIST

FOOTRESTS/STANDS/BRAKE PEDAL ('69-'73)

ITEM NAME	PART NUMBER	QUANTITY
-----------	-------------	----------