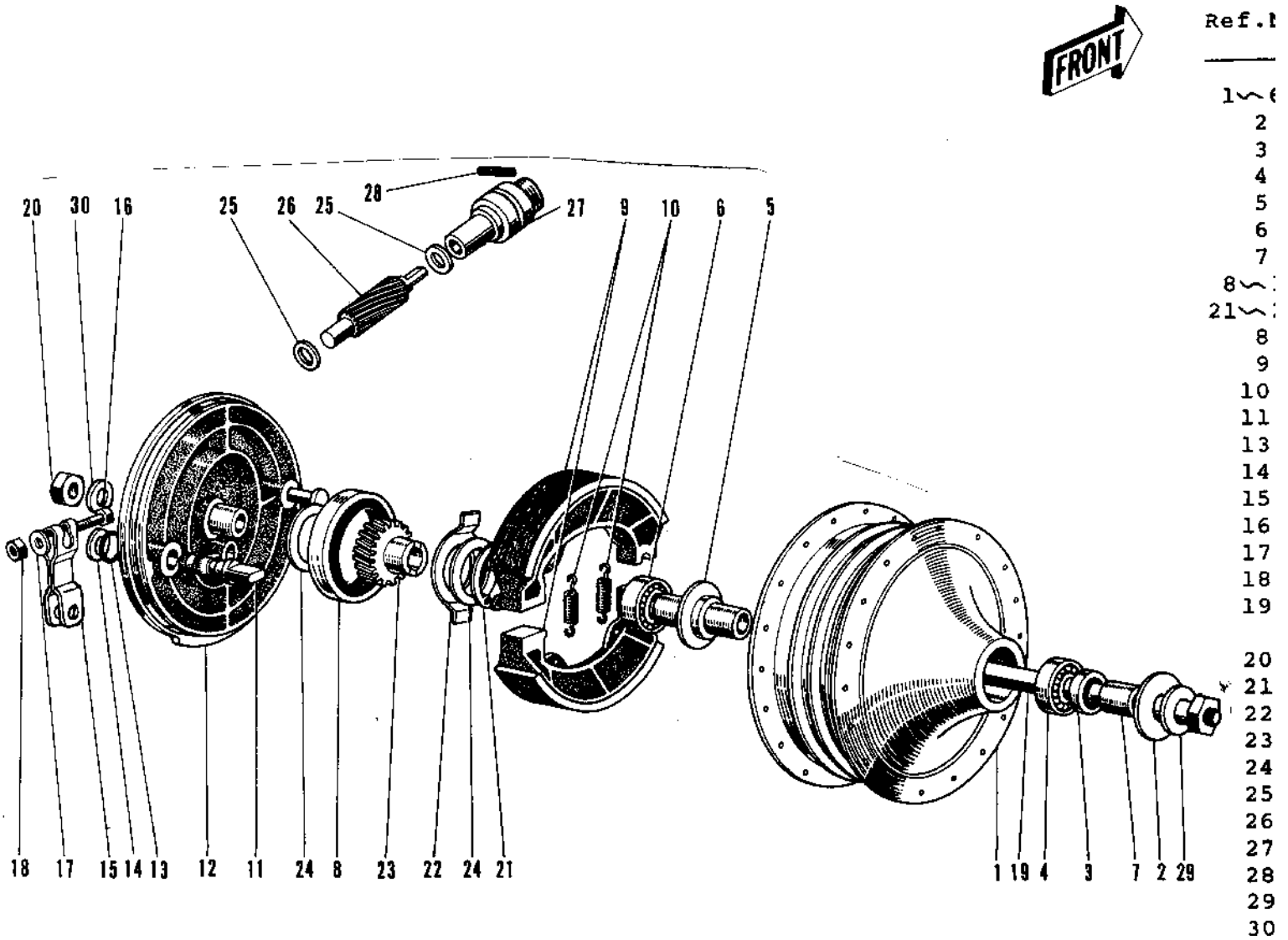


1971 G3SS-A PARTS DIAGRAM

FRONT HUB/BRAKE ('69-'73)



1971 G3SS-A PARTS LIST

FRONT HUB/BRAKE ('69-'73)

| ITEM NAME | PART NUMBER | QUANTITY |
|--------------------------------------|--------------|----------|
| DRUM-ASSY,FR BRK (Ref # 1~6) | 41034-1040 | 1 |
| DUST SHIELD FRNT DRUM (Ref # 2) | 41042-002 | 1 |
| OIL SEAL FRONT DRUM (Ref # 3) | 92050-003 | 1 |
| BEARING BALL #6200 (Ref # 4) | 601B6200 | 1 |
| SPACER FRONT HUB (Ref # 5) | 41039-002 | 1 |
| BEARING BALL #6300Z (Ref # 6) | 601B6300Z | 1 |
| COLLAR FRONT HUB R.H (Ref # 7) | 41069-002 | 1 |
| PANEL-ASY,FR BRK BUFF (Ref # 8~18 2) | 41035-071-80 | 1 |
| OIL SEAL BRAKE PANEL (Ref # 8) | 92050-002 | 2 |
| SHOE-BRAKE (Ref # 9) | 41048-1085 | 2 |
| SPRING,BRAKE SHOE (Ref # 10) | 92081-1766 | 2 |
| CAM SHAFT-FRONT BRAKE (Ref # 11) | 41050-018 | 1 |
| "O" RING,11MM (Ref # 13) | 92055-004 | 1 |
| WASHER BRAKE CAM SHT (Ref # 14) | 41052-001 | 1 |
| LEVER FRONT BRAKE CAM (Ref # 15) | 41053-005 | 1 |
| BOLT-UPSET (Ref # 16) | 112G0630 | 1 |
| WASHER PLAIN 6MM (Ref # 17) | 410B0600 | 1 |
| NUT 6MM (Ref # 18) | 311B0600 | 1 |
| AXLE-FRONT (Ref # 19) | 41068-039 | 1 |
| NUT 10MM (Ref # 20) | 42045-005 | 1 |
| CIRCLIP 15MM (Ref # 21) | 480J1500 | 1 |
| RECIEVER SPEED GEAR (Ref # 22) | 41064-002 | 1 |
| GEAR SPEEDOMETER (Ref # 23) | 41059-006 | 1 |
| WASHER SPEED GR THRST (Ref # 24) | 41065-002 | 2 |
| WASHER THRST SPD PINI (Ref # 25) | 41063-001 | 2 |
| PINION SPEEDOMETER (Ref # 26) | 41060-004 | 1 |
| BUSH SPEEDMETER CABLE (Ref # 27) | 41062-001 | 1 |
| SCREW BUSHING SET (Ref # 28) | 41070-001 | 1 |
| WASHER PLAIN 10MM (Ref # 29) | 411B1000 | 1 |

1971 G3SS-A PARTS LIST

FRONT HUB/BRAKE ('69-'73)

| ITEM NAME | PART NUMBER | QUANTITY |
|-------------------------------|-------------|----------|
| WASHER SPRING 10MM (Ref # 30) | 461F1000 | 1 |