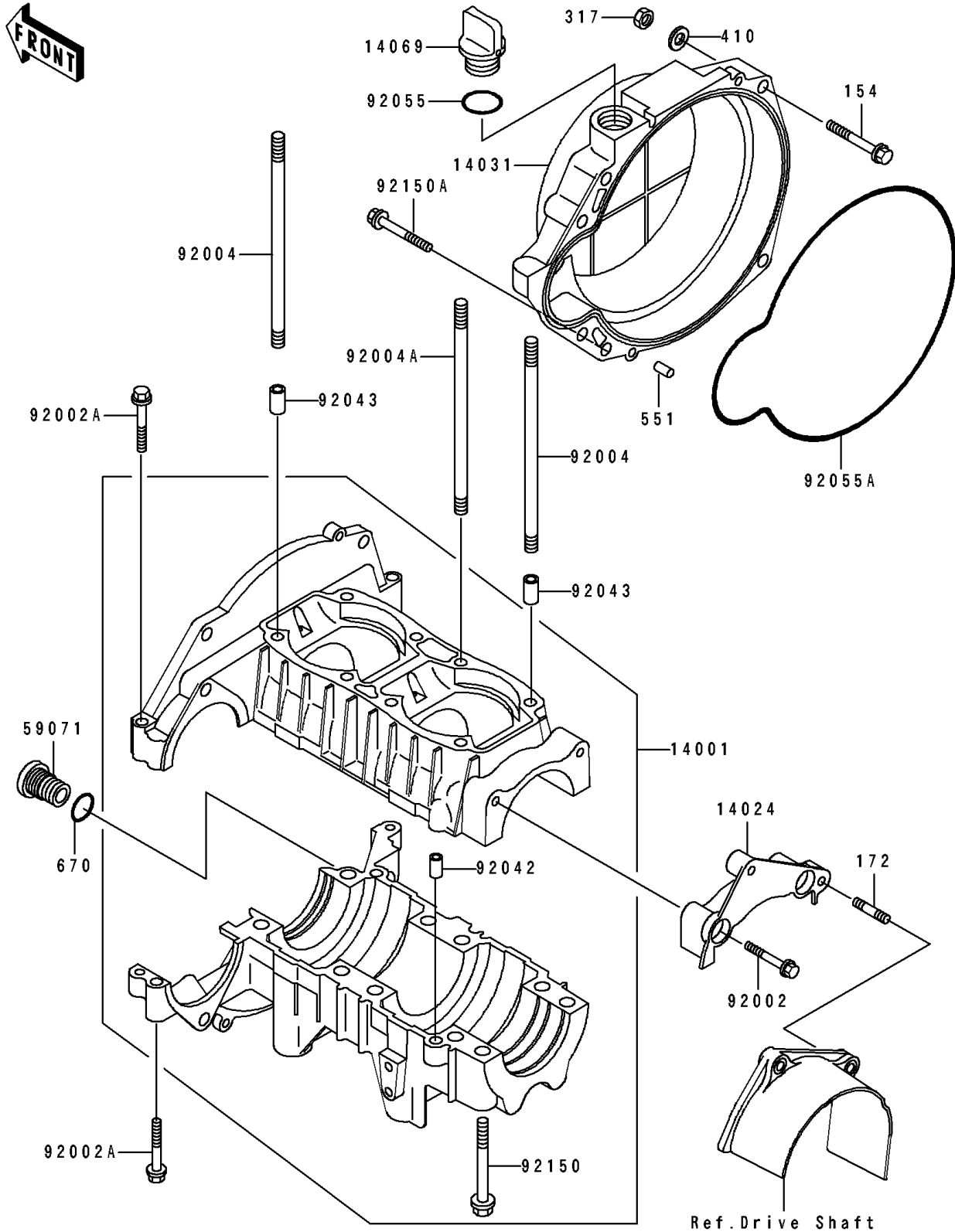


1991 550 SX PARTS DIAGRAM

Crankcase

E1411



1991 550 SX PARTS LIST

Crankcase

| ITEM NAME | PART NUMBER | QUANTITY |
|------------------------------------|-------------|----------|
| SET-CRANKCASE (Ref # 14001) | 14001-5290 | 1 |
| COVER,COUPLING COVER (Ref # 14024) | 14024-3811 | 1 |
| COVER-GENERATOR (Ref # 14031) | 14031-3708 | 1 |
| BREATHER (Ref # 14069) | 14069-3709 | 1 |
| JOINT (Ref # 59071) | 59071-516 | 1 |
| BOLT,6X35 (Ref # 92002) | 92002-3715 | 2 |
| BOLT,6X40 (Ref # 92002A) | 92002-3716 | 3 |
| STUD,8X175 (Ref # 92004) | 92004-3729 | 2 |
| STUD,8X167 (Ref # 92004A) | 92004-507 | 6 |
| PIN,DOWEL,6.3X8X14 (Ref # 92042) | 92042-007 | 2 |
| PIN,DOWEL,10X14 (Ref # 92043) | 92043-1037 | 2 |
| RING-O (Ref # 92055) | 92055-515 | 1 |
| RING-O (Ref # 92055A) | 92055-521 | 1 |
| BOLT,8X65 (Ref # 92150) | 92150-3708 | 10 |
| BOLT,8X45 (Ref # 92150A) | 92150-3785 | 2 |
| BOLT-WP-SMALL (Ref # 154) | 154R0845 | 2 |
| BOLT-STUD (Ref # 172) | 172R0620 | 2 |
| NUT-HEX-SMALL (Ref # 317) | 317R0800 | 2 |
| WASHER-PLAIN-SMALL,8MM (Ref # 410) | 410S0800 | 2 |
| PIN-DOWEL (Ref # 551) | 551R0612 | 2 |
| O RING,16MM (Ref # 670) | 670B2016 | 1 |